

UNICARRIERS[®]

FORKLIFT



CF100-CF155 series

Engine Powered Forklifts

LP

10,000 – 15,000 lbs. Capacities | Cushion Tire



Common Applications

At the core of the Unicarriers CF100-CF155 series is a tough PSI 4X 4.3 liter V6 EPA compliant engine. Each forklift is built for performing different jobs throughout various applications. Whether you need to off load trailers or move goods in and out of racking, our lift trucks are highly configurable and flexible. This gives you practical options and attachments to enhance the truck's agility for your specific business needs.

- Paper and allied products
- Manufacturing
- Primary and fabricated metals
- General warehouse and storage
- Lumber and building





NEVER QUIT.

It defines our forklifts and the company that builds them.

Over the course of a century, the company known as UniCarriers took shape. As we grew and evolved into a US manufacturer with a global reach in nearly 100 countries worldwide, much has changed, but one thing hasn't: our mission. UniCarriers is committed to providing you with the ultimate in reliability, performance, and value.

That commitment can be seen in the CF100-CF155 series. Powered by an EPA/CARB compliant V6 engine, our forklifts offer excellent fuel economy with the combination of low noise and vibration levels. In addition, our low profile counterweight design allows for a more compact turning radius. Plus, when you need to stack at the third level, the higher lift heights give you that flexibility.



Up Your UpTime

Discover reliability features that cut downtime and keep your business up and running



Comfort Zone

Your entire operation will benefit from the features designed with operator comfort in mind



Power & Performance

Built with proven components to ensure the productivity you need



Sweet Savings

Designed to maintain a low cost of ownership year after year



Play It Safe

Safety is everyone's business and UniCarriers is all about business when it comes to safety



Control Freak

Placing control completely within the hands of the operator for confident efficiency



To learn more, and find a dealer near you, visit LogisnextAmericas.com/UniCarriers



Up Your UpTime

The display-based indicators will always notify the operator the moment vital fluids are low or when engine maintenance is required. That means more uptime while assisting to prevent costly maintenance needs later in your work.

Overhead LCD/LED display features give operators additional overhead guard leg-mounted indicators. This helps keep the operator aware of real-time conditions of the truck. From low fuel, transmission oil level, interlock indicators, to service indicators and more, the CF100-CF155 is built for better reliability.



With an Engine Protection System (EPS) you can count on, your lift truck will stay running at peak performance.



Comfort Zone



Efficiency From Start to Finish

When it comes to the operator, comfort leads to more productivity. For that reason, we designed the operator compartment on the CF100 - CF155 series with more than just spacious room, comfortable seating and optimized visibility. We included more features that offer a smoother, quieter ride and indicators to keep every operator in tune with the health of their lift truck.

Visibility at every turn – narrow mast channels and hoses mounted at 45 degrees offer forward visibility through the mast, at the same time, LED mast-mounted work lights and an open overhead guard design help operators maintain sight of the load and the surroundings.

An Adjustable and Full-Suspension Vinyl Seat – when operators look at each truck, they can choose their preferred level of lumbar support, amount of weight suspension and forward/backward level to find the optimal amount of comfort for their productivity. Every seat comes with an orange seat belt – this allows managers to see when operators are safely strapped in.

Quiet comfort means less vibration – In order to minimize noise and vibration levels, we designed each truck with:

- Rubber mounted components
- Fully insulated engine hood
- Helical transmission gears
- Closed wheel wells





Power & Performance

Delivering Performance Through Fuel Efficiency

Combined with lift capacities of 10,000 - 15,500 lbs. and a powerful V6 EPA-compliant engine, our Uncarriers lift truck series gives you:

- Improved fuel efficiency
- Performance you can trust
- Low noise and vibration levels
- Power acceleration with control
- Maximum productivity from start to finish





Sweet Savings

The specialized paper handling chassis and option packages for the CF100 - CF155 series will optimize the truck systems to suit the unique requirements of your application. Packaged to maximize value, our trucks reduce the need to modify in the field while improving productivity, which increases operator comfort and optimizes performance.

Product Protection For Your Trucks

- Four-position pressure regulator
- Forward tilt lockout
- Drop stop valve
- Flexible fenders

Dust and Foundry Options

Designed for dusty applications, this package includes strategically placed breathers and filters to help keep harmful abrasives out of the internal systems.

- Elevated air intake pre-cleaner
- Magnetic drain plugs
- Dust-proof front axle breather
- Dust-proof hydraulic pump
- Brake booster filter
- Transmission fluid filter

High Pass Through Cooling

- High pass through radiator
- Relocated tandem transmission oil coolers
- Louvered radiator covers

Reverse Drive Difference

- Improving productivity throughout the shift
- Full suspension vinyl swivel seat
- Rear grab handle

Paper Application

- Hydraulic lift line accumulator
- Load bearing clamp lockout
- Hydraulic flow control valve
- High pass through radiator
- Tandem transmission oil coolers
- Louvered radiator covers
- Carriage slider blocks
- Wrapped exhaust pipes
- Underbelly screen



UNICARRIERS
[FORKLIFT]



Play It Safe

When you purchase a Unicarriers truck, you get connected to a variety of material handling solutions, such as world-class service and support from your local, trusted dealer. This comes with trained service technicians, a diverse parts inventory and a broad selection of service options, so your local dealer can help you lower costs, enhance productivity and more efficiently manage your business.



Special Financing Made Simple

Financing your next Unicarriers lift truck has never been easier. Using our wide range of flexible leasing and purchasing options, through financing or leasing, your local Unicarriers lift truck dealer can help customize a package that fits your specific needs.



Parts You Can Count On

We know speed is critical and we provide the backup you need with a Parts Replacement Program that will continuously monitor our inventory levels to keep your trucks rolling and making you profit.



Our Products Come with Partnership

You get peace of mind when we help deliver your lift truck to stay on the job. Every new Unicarriers lift truck is covered by a 2-year unlimited hour warranty (that includes parts and labor, as well as components and systems). With our standard 2-year/ unlimited hour warranty, you'll have the confidence that only comes from owning a Unicarriers lift truck.





Control Freak

Short Turning Radius Option

Get the forklift turning radius that's important for your operator to determine how much space is needed to turn the forklift around. The CF100-C155 series gives your team a shorter turning radius which allows your compact trucks to utilize the available space to the best of its ability.

Product Protection For Your Trucks

- Operators can move materials at maximum efficiency
- Enhances the forklift's maneuverability, allowing you to work in more congested and restricted areas
- Efficiently works on the dock for loading/unloading trailers and containers, in bulk storage, drive-in rack, push-back rack and anywhere that loads need to be moved quickly and efficiently



UNI CARRIERS
[FORKLIFT]

MAIN TRUCK SPECIFICATIONS

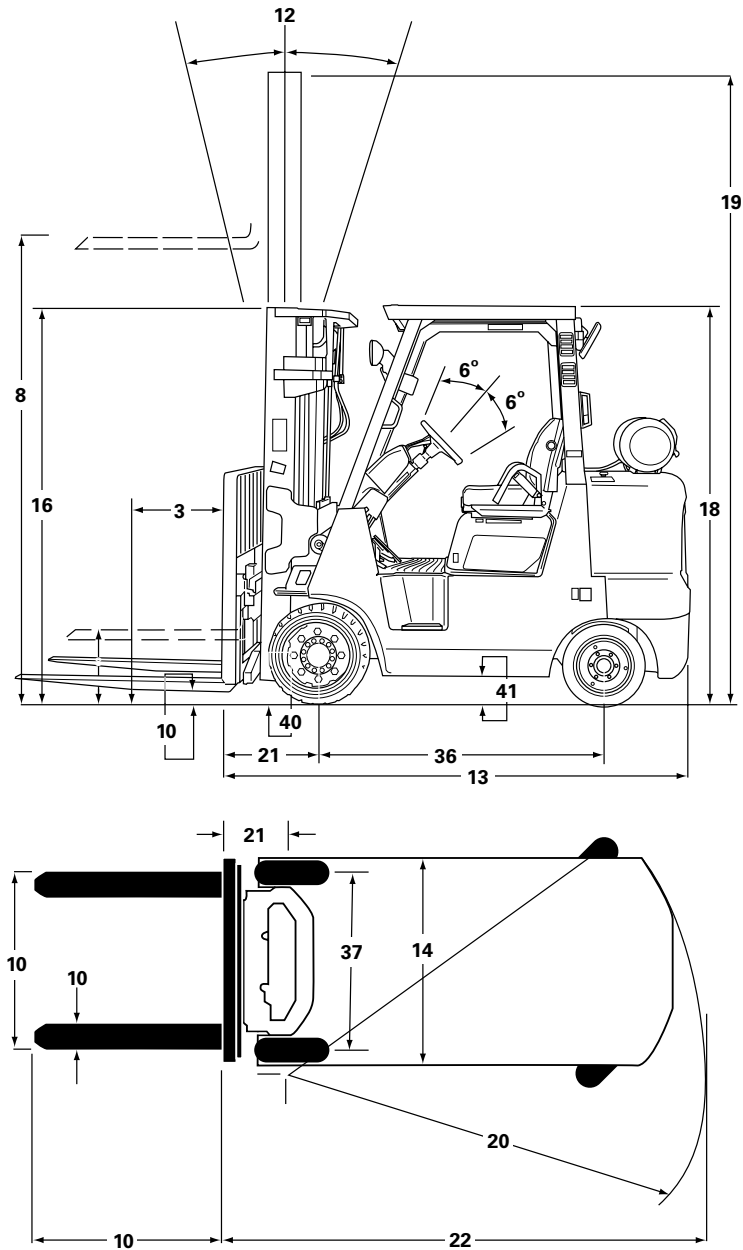
CHARACTERISTICS	1			UniCarriers		
	2				CF100	CF120
	3					
	2	Model	Model designation			
	3	Capacity at rated load center	lb (kg)	10,000 (4,500)	12,000 (5,500)	
	4	Capacity at load center	distance	24 (600)	24 (600)	
	5	Power		LP Gas	LP Gas	
	6	Tire type		cushion	cushion	
	7	Wheels	Number (x=driven) front / rear	2x / 2	2x / 2	
DIMENSIONS	8	Maximum fork height	in (mm)	114 (2,890)	114 (2,900)	
	9	Free fork height	in (mm)	5.9 (150)	6.3 (160)	
	10	Fork dimensions	length x width x thickness	in (mm)	2.0 x 48.0 x 5.9 (50 x 1,220 x 150)	2.0 x 48.0 x 5.9 (50 x 1,220 x 150)
	11	Fork spacing	out-to-out minimum/maximum	in (mm)	3.5 / 41/0 (342 / 1,042)	3.5 / 41/0 (342 / 1,042)
	12	Tilt	forward / backward	degrees	5 / 10	5 / 10
	13	Length to fork face		in (mm)	103 (2,620)	115 (2,910)
	14	Overall width	with standard tires	in (mm)	46.5 (1,180)	52.0 (1,320)
	15		with standard tires - wide stance	in (mm)	50.0 (1,270)	55.9 (1,420)
	16	Height with lowered mast		in (mm)	83.5 (2,120)	83.5 (2,120)
	17	Seat height		in (mm)	47.2 (1,200)	47.2 (1,200)
	18	Height	to top of overhead guard	in (mm)	86.8 (2,205)	86.8 (2,205)
	19		with mast extended	in (mm)	161 (4,090)	162.5 (4,130)
	20	Minimum outside turning radius		in (mm)	92.1 (2,340)	100 (2,550)
21	Front Overhang		in (mm)	18.3 (465)	18.9 (480)	
22	Minimum aisle	90 degree stack - zero clearance without load	in (mm)	110 (2,805)	119 (3,030)	
PERFORMANCE	23	Travel speed	loaded / empty	mph (km/h)	11.5 / 12.1 (18.5 / 19.5)	11.2 / 12.1 (18.0 / 19.5)
	24	Lift speed	loaded / empty	fpm (mm/s)	76.8 / 82.7 (0.39 / 0.42)	76.8 / 82.7 (0.39 / 0.42)
	25	Lowering speed	loaded / empty	fpm (mm/s)	86.6 / 80.7 (0.44 / 0.41)	86.6 / 80.7 (0.44 / 0.41)
	26	Drawbar pull loaded	loaded at 1 mph (1.6 km)	lb (N)	5,350 (23,780)	5,350 (23,780)
	27	Drawbar pull loaded	maximum loaded	lb (N)	6,170 (27,460)	6,120 (27,210)
	28	Gradeability	loaded at 1 mph (1.6 km)	%	27.0	22.5
29	maximum loaded / empty		%	30.0	26.0	
WEIGHT	30	Weight	empty	lb (kg)	14,260 (6,470)	15,850 (7,190)
	31	Axle loaded with rated load	front / rear (est.)	lb (kg)	20,925 / 3,335 (9,495 / 1,475)	24,820 / 3,030 (11,260 / 1,430)
	32	Axle load without load	front / rear (est.)	lb (kg)	4,320 / 9,940 (1,960 / 4,510)	5,335 / 10,515 (2,420 / 4,770)
CHASSIS & WHEELS	33	Tire size	front (standard)	in	22 x 9 x 16	22 x 12 x 16
	34		rear	in	18 x 7 x 12.1	18 x 8 x 12.1
	35	Wheelbase		in (mm)	62.0 (1,575)	70.1 (1,780)
	36	Tread width	front (standard tires)	in (mm)	37.0 (940)	40.0 (1,015)
	37		front (wide-stance tires)	in (mm)	40.9 (1,040)	44.1 (1,120)
	38		rear (standard tires)	in (mm)	38.6 (980)	38.0 (965)
	39	Ground clearance	at lowest point of mast	in (mm)	3.9 (100)	3.9 (100)
	40		at center or wheelbase	in (mm)	5.9 (150)	5.9 (150)
	41	Service brakes		type	hydraulic with vacuum boost	hydraulic with vacuum boost
	42	Parking brakes		type	hand , mechanical	hand , mechanical
POWERTRAIN	43	Engine model			PSI 4X	PSI 4X
	44	Continuous output	S.A.E Gross	HP (kW)	104.6 (78.0)	104.6 (78.0)
	45			at rpm	2,600	2,600
	46	Maximum torque	S.A.E Gross	lb-ft (Nm)	210 (285)	210 (285)
	47			at rpm	1,000	1,000
	48	Cylinders / displacement		cu in (L)	6 / 262 (6 / 4.3)	6 / 262 (6 / 4.3)
	49	Transmission type			powershift	powershift
	50	Number of speeds	forward / reverse		1 / 1	1 / 1
	51	Relief pressure	for attachments - 3-way valve	psi (bar)	2,900 (200)	2,900 (200)
	52		for attachments - 4-way valve	psi (bar)	2,350 (162)	2,350 (162)
53	Noise level	mean value at operator's ear Leq	dB(A)	83.5	83.5	

MAIN TRUCK SPECIFICATIONS

CHARACTERISTICS	1			Manufacturer's Name		UniCarriers	
	2	Model	Model designation	CF135	CF155		
DIMENSIONS	3	Capacity at rated load center	lb (kg)	13,500 (6,000)	15,500 (7,000)		
	4	Capacity at load center	distance	in (mm)	24 (600)		
	5	Power		LP Gas	LP Gas		
	6	Tire type		cushion	cushion		
	7	Wheels	Number (x=driven) front / rear	2x / 2	2x / 2		
	8	Maximum fork height	in (mm)	93 (2,370)	93 (2,370)		
	9	Free fork height	in (mm)	6.5 (165)	6.5 (165)		
	10	Fork dimensions	length x width x thickness	in (mm)	2.6 x 48.0 x 5.9 (65 x 1,220 x 150)	2.6 x 48.0 x 5.9 (65 x 1,220 x 150)	
	11	Fork spacing	out-to-out minimum/maximum	in (mm)	16.3 / 47.8 (414 / 1,214)	16.3 / 47.8 (414 / 1,214)	
	12	Tilt	forward / backward	degrees	6 / 9	6 / 9	
	13	Length to fork face	in (mm)	116 (2,950)	116 (2,950)		
	14	Overall width	with standard tires	in (mm)	-	-	
	15		with standard tires - wide stance	in (mm)	56.7 (1,440)	56.7 (1,440)	
	16	Height with lowered mast	in (mm)	84.5 (2,150)	84.5 (2,150)		
	17	Seat height	in (mm)	50.6 (1,285)	50.6 (1,285)		
	18	Height	to top of overhead guard	in (mm)	88.8 (2,255)	88.8 (2,255)	
	19		with mast extended	in (mm)	141.5 (3,590)	141.5 (3,590)	
	20	Minimum outside turning radius	in (mm)	101 (2,570)	101 (2,570)		
	21	Front Overhang	in (mm)	20.9 (530)	20.9 (530)		
	22	Minimum aisle	90 degree stack - zero clearance without load	in (mm)	122 (3,100)	122 (3,100)	
	PERFORMANCE	23	Travel speed	loaded / empty	mph (km/h)	13.0 / 14.3 (21.0 / 23.0)	12.7 / 14.3 (20.5 / 23.0)
24		Lift speed	loaded / empty	fpm (mm/s)	70.9 / 76.8 (0.36 / 0.39)	70.9 / 76.8 (0.36 / 0.39)	
25		Lowering speed	loaded / empty	fpm (mm/s)	106 / 76.8 (0.54 / 0.39)	106 / 76.8 (0.54 / 0.39)	
26		Drawbar pull loaded	loaded at 1 mph (1.6 km)	lb (N)	6,670 (29,665)	6,670 (29,665)	
27		Drawbar pull loaded	maximum loaded	lb (N)	8,210 (36,530)	8,210 (36,530)	
28		Gradeability	loaded at 1 mph (1.6 km)	%	24.5	21.5	
29			maximum loaded / empty	%	30.0	27.0	
WEIGHT	30	Weight	empty	lb (kg)	19,310 (8,760)	20,900 (9,480)	
	31	Axle loaded with rated load	front / rear (est.)	lb (kg)	29,000 / 3,810 (12,920 / 1,840)	32,920 / 4,480 (14,480 / 2,000)	
	32	Axle load without load	front / rear (est.)	lb (kg)	7,100 / 12,210 (3,220 / 5,540)	6,990 / 13,910 (3,170 / 6,310)	
CHASSIS & WHEELS	33	Tire size	front (standard)	in	28 x 12 x 22	28 x 12 x 22	
	34		rear	in	22 x 8 x 16	22 x 8 x 16	
	35	Wheelbase	in (mm)	72.0 (1,830)	72.0 (1,830)		
	36	Tread width	front (standard tires)	in (mm)	-	-	
	37		front (wide-stance tires)	in (mm)	44.5 (1,130)	44.5 (1,130)	
	38		rear (standard tires)	in (mm)	45.7 (1,160)	45.7 (1,160)	
	39	Ground clearance	at lowest point of mast	in (mm)	3.9 (100)	3.9 (100)	
	40		at center or wheelbase	in (mm)	7.9 (200)	7.9 (200)	
	41	Service brakes	type	hydraulic with vacuum boost	hydraulic with vacuum boost		
	42	Parking brakes	type	hand , mechanical	hand , mechanical		
POWERTRAIN	43	Engine model		PSI 4X	PSI 4X		
	44	Continuous output	S.A.E Gross	HP (kW)	104.6 (78.0)	104.6 (78.0)	
	45			at rpm	2,600	2,600	
	46	Maximum torque	S.A.E Gross	lb-ft (Nm)	210 (285)	210 (285)	
	47			at rpm	1,000	1,000	
	48	Cylinders / displacement	cu in (L)	6 / 262 (6 / 4.3)	6 / 262 (6 / 4.3)		
	49	Transmission type		powershift	powershift		
	50	Number of speeds	forward / reverse	2 / 2	2 / 2		
	51	Relief pressure	for attachments - 3-way valve	psi (bar)	2,900 (200)	2,900 (200)	
	52		for attachments - 4-way valve	psi (bar)	2,350 (162)	2,350 (162)	
	53	Noise level	mean value at operator's ear Leq	dB(A)	83.5	83.5	

MAIN TRUCK SPECIFICATIONS

CHARACTERISTICS	1			UniCarriers			
	2			CF100 (STR optional)	CF120 (STR optional)	CF155 (STR optional)	
	3			10,000 (4,500)	12,000 (5,500)	15,500 (7,000)	
	4	Capacity at load center	distance	24 (600)	24 (600)	24 (600)	
	5	Power		LP Gas	LP Gas	LP Gas	
	6	Tire type		cushion	cushion	cushion	
	7	Wheels	Number (x=driven) front / rear	2x / 2	2x / 2	2x / 2	
DIMENSIONS	8	Maximum fork height	in (mm)	114 (2,890)	114 (2,900)	93.0 (2,370)	
	9	Free fork height	in (mm)	5.9 (150)	6.3 (160)	6.5 (165)	
	10	Fork dimensions	length x width x thickness	2.0 x 48.0 x 5.9 (50 x 1,220 x 150)	2.0 x 48.0 x 5.9 (60 x 1,220 x 150)	2.6 x 48.0 x 5.9 (65 x 1,220 x 150)	
	11	Fork spacing	out-to-out minimum/maximum	13.5 / 41.0 (342 / 1,042)	13.5 / 41.0 (342 / 1,042)	16.3 / 47.8 (414 / 1,214)	
	12	Tilt	forward / backward	degrees	5 / 10	5 / 10	6 / 9
	13	Length to fork face		in (mm)	98.2 (2,495)	105 (2,665)	107 (2,730)
	14	Overall width	with standard tires	in (mm)	46.5 (1,180)	52.0 (1,320)	-
	15		with standard tires - wide stance	in (mm)	50.0 (1,270)	55.9 (1,420)	56.7 (1,440)
	16	Height with lowered mast		in (mm)	83.5 (2,120)	83.5 (2,120)	84.5 (2,150)
	17	Seat height		in (mm)	47.2 (1,200)	47.2 (1,200)	50.6 (1,285)
	18	Height	to top of overhead guard	in (mm)	86.8 (2,205)	86.8 (2,205)	88.8 (2,255)
	19		with mast extended	in (mm)	161 (4,090)	162.5 (4,120)	141.5 (3,590)
	20	Minimum outside turning radius		in (mm)	88.0 (2,235)	92.5 (2,350)	97.2 (2,470)
	21	Front Overhang		in (mm)	18.3 (465)	18.9 (480)	20.9 (530)
22	Minimum aisle	90 degree stack - zero clearance without load	in (mm)	106 (2,700)	111 (2,830)	118 (3,000)	
PERFORMANCE	23	Travel speed	loaded / empty	mph (km/h)	11.5 / 12.1 (18.5 / 19.5)	11.2 / 12.1 (18.0 / 19.5)	12.7 / 14.0 (20.5 / 22.5)
	24	Lift speed	loaded / empty	fpm (mm/s)	76.8 / 82.7 (0.39 / 0.42)	76.8 / 82.7 (0.39 / 0.42)	70.9 / 76.8 (0.36 / 0.39)
	25	Lowering speed	loaded / empty	fpm (mm/s)	86.6 / 80.7 (0.44 / 0.41)	86.6 / 80.7 (0.44 / 0.41)	106 / 76.8 (0.54 / 0.39)
	26	Drawbar pull loaded	loaded at 1 mph (1.6 km)	lb (N)	5,350 (23,780)	5,350 (23,780)	6,670 (29,665)
	27	Drawbar pull loaded	maximum loaded	lb (N)	6,170 (27,460)	6,120 (27,210)	8,210 (36,530)
	28	Gradeability	loaded at 1 mph (1.6 km)	%	27.0	22.0	20.5
29	maximum loaded / empty		%	30.0	25.0	26.0	
WEIGHT	30	Weight	empty	lb (kg)	14,350 (6,510)	16,640 (7,550)	21,870 (9,920)
	31	Axle loaded with rated load	front / rear (est.)	lb (kg)	21,270 / 3,080 (9,650 / 1,360)	25,435 / 3,205 (11,540 / 1,510)	32,560 / 4,810 (14,770 / 2,150)
	32	Axle load without load	front / rear (est.)	lb (kg)	4,595 / 9,755 (2,085 / 4,425)	5,960 / 10,680 (2,705 / 4,845)	7,790 / 14,080 (3,535 / 6,385)
CHASSIS & WHEELS	33	Tire size	front (standard)	in	22 x 9 x 16	22 x 12 x 16	28 x 12 x 22
	34		rear	in	18 x 7 x 12.1	18 x 8 x 12.1	22 x 8 x 16
	35	Wheelbase		in (mm)	62.0 (1,575)	70.1 (1,780)	72.0 (1,830)
	36	Tread width	front (standard tires)	in (mm)	37.0 (940)	40.0 (1,015)	-
	37		front (wide-stance tires)	in (mm)	40.9 (1,040)	44.1 (1,120)	44.5 (1,130)
	38		rear (standard tires)	in (mm)	38.6 (980)	38.0 (965)	5.7 (1,160)
	39	Ground clearance	at lowest point of mast	in (mm)	3.9 (100)	3.9 (100)	3.9 (100)
	40		at center or wheelbase	in (mm)	5.9 (150)	5.9 (150)	7.9 (200)
41	Service brakes		type	hydraulic with vacuum boost	hydraulic with vacuum boost	hydraulic with vacuum boost	
42	Parking brakes		type	hand , mechanical	hand , mechanical	hand , mechanical	
POWERTRAIN	43	Engine model			PSI 4X	PSI 4X	PSI 4X
	44	Continuous output	S.A.E Gross	HP (kW)	104.6 (78.0)	104.6 (78.0)	104.6 (78.0)
	45			at rpm	2,600	2,600	2,600
	46	Maximum torque	S.A.E Gross	lb-ft (Nm)	210 (285)	210 (285)	210 (285)
	47			at rpm	1,000	1,000	1,000
	48	Cylinders / displacement		cu in (L)	6 / 262 (6 / 4.3)	6 / 262 (6 / 4.3)	6 / 262 (6 / 4.3)
	49	Transmission type			powershift	powershift	powershift
	50	Number of speeds	forward / reverse		1 / 1	1 / 1	2 / 2
	51	Relief pressure	for attachments - 3-way valve	psi (bar)	2,900 (200)	2,900 (200)	2,900 (200)
	52		for attachments - 4-way valve	psi (bar)	2,350 (162)	2,350 (162)	2,350 (162)
53	Noise level	mean value at operator's ear Leq	dB(A)	83.5	83.5	83.5	



Safety Standards

These trucks meet American National Standards Institute/Industrial Truck Standards Development Foundation, ANSI/ITSDF B56.1.

UL-Classified by Underwriters Laboratories, Inc., as to fire and electric shock hazard only. Availability: Types LP standard, Type LPS optional. Users should be aware of, and adhere to, applicable codes and regulations regarding operator training, use, operation, and maintenance of powered industrial trucks, including:

- ANSI/ITSDF B56.1.
- NFPA 505, fire safety standard for powered industrial trucks — type designations, areas of use, maintenance and operation.
- Occupational Safety and Health Administration (OSHA) regulations that may apply.

Contact your Unicarriers lift truck dealer for further information, including operator training programs and auxiliary visual and audible warning systems, fire extinguishers, etc., as available for specific user applications and requirements. Specifications, equipment, technical data, photos and illustrations based on information at time of printing and subject to change without notice. Some products may be shown with optional equipment.

Reliability.

It's the defining trait of our company and our forklifts.



UniCarriers' roots extend back over 100 years, and over that time, strong, reliable performance has always been the hallmark of our organization, our people and our equipment.

Today, our unrivaled reliability continues to provide UniCarriers' customers with a competitive edge. And together, we move the merchandise that moves world commerce with greater efficiency, economy and reliability.

When it comes to providing forklifts that make a difference for our customers and theirs...

We Never Quit.



UniCarriersAmericas.com

CF100-CF155 10-2020 Printed in U.S.A.

© 2020 Mitsubishi Logisnext Americas Inc. UniCarriers® is a registered trademark of Mitsubishi Logisnext Co., Ltd. UniCarriers Americas Corporation reserves the right to make product changes relating to colors, equipment, specifications or available options without notice. For more information, contact your UniCarriers representative.