



GC15S-9 / GC18S-9 / GC20SC-9
GC20S-9 / GC25S-9 / GC30S-9 / GC33S-9
GC35S-9 / GC35S-9 BCS / GC45S-9 / GC45S-9 BCS / GC55C-9 / GC55C-9 BCS

9 SERIES FORKLIFTS

Internal Combustion Cushion Tire Forklifts

3,000 lb. to 12,000 lb. Capacity



Changing the Game

The World Class 9 Series Cushion Trucks from Doosan

www.doosanlift.com

Packed with Features

Focused on Value



"We run our Doosans hard and they don't let us down"

PROVEN RELIABLE

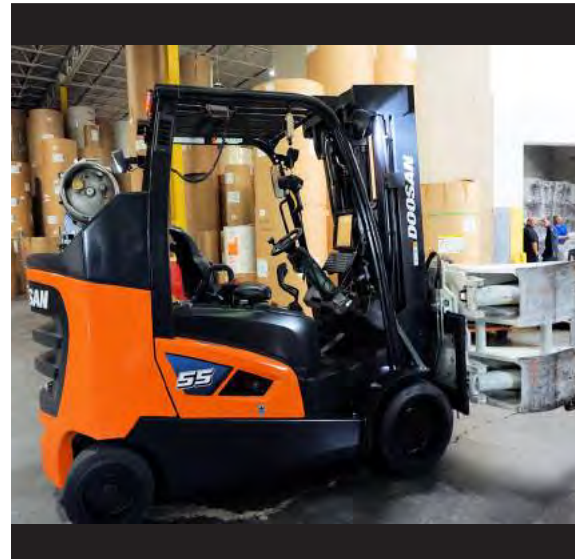
- Industry proven industrial engines
- Heavy duty powertrain
 - o Double gear reduction drive axle
 - o Heavy duty taper roller bearing steer axle



"Of all the forklifts we have tried, Doosan products are by far the easiest to own"

LOW COST OF OWNERSHIP

- Fewer recommended service intervals
- 5-Year, 10,000 hr. brake warranty
- Doosan's Assurance Warranty
- Industry leading financing



"Finally, a truck that does it all. Safety, comfort and performance. We love Doosan!"

INCREASED PRODUCTIVITY

- Excellent forward visibility
- Built with operator comfort in mind
- Agile in confined spaces
- Heavy duty cooling system



The new 9 Series from Doosan continues our tradition of delivering heavy duty performance with low cost of ownership.



Improved Operator Comfort

- Operator leg room is increased by 20%
- Inching & brake pedal effort reduced by 70%
- Thick rubber floor mat reduces heat & noise
- Smaller steering wheel means less fatigue
- Fully adjustable suspension seat, standard on all models



Advanced Safety Features

- Operator Safety System (OSS)
- Improved visibility through the mast
- Electronic parking brake
- Safety lights, strobes, alarm & mirrors
- Rear grab bar with horn button
- Orange seat belt



Ergonomic Layout

- Conveniently positioned hydraulic levers
- Lower dash profile for improved forward view
- Lower step-up into operator's compartment
- Three-point entry system
- Pedals and seat designed for operator comfort



Product Features Overview

Modern Design, Intelligent Engineering

Operator Compartment

Designed for comfort, the operator compartment allows users to find their optimum driving position.

Ergonomically Placed Hydraulic Controls

Strategically placed in the right position to reduce shoulder fatigue for operators of any size.

Operator Sensing System (OSS)

The OSS shuts down travel and lift functions when the operator leaves the seat.

Counterweight & Cooling

The sleek new counterweight design allows better airflow to maximize cooling capacity.

Engine Cover

The redesigned engine cover opens at a wide angle to provide excellent accessibility to the main compartment.

Hydrostatic Steer Axle

Doosan's heavy duty steer axle provides smooth steering control and durability.

Integrated Junction Box

Fuses and relays are neatly organized to simplify maintenance and troubleshooting.



Power, performance, driving comfort, durability, and outstanding fuel efficiency are just a few reasons to choose 'The 9 Series'.



High Visibility Mast

The new mast design is reinforced and allows improved forward visibility.

Ergonomic Steering Column

The telescopic steering column allows the operator to properly adjust for comfort. The steering wheel is sized for reduced operator fatigue.

New Instrument Panel

The full sized LED instrument panel is conveniently located to remain in full view of the operator at all times.

Rigid, Heavy Duty Drive Axle

Durable cast iron housing with reinforced mast mounts assure stability and long life.

OCDB (Oil-cooled Disc Brakes)

The OCDB significantly reduce maintenance and repair costs while increasing stopping power.

Maintenance-friendly Design

The side cover and floor plates provide easy access to the powertrain making maintenance a breeze.

Fewer Recommended Service Intervals

Superior components and intelligent engineering allow these trucks to operate longer between recommended service intervals. This means increased run time and lower cost of ownership.

Advanced Safety Features

Safety Assured



Doosan understands the importance you place on safety. That's why the 9 Series offers a large array of standard safety features.

Operator Sensing System - (OSS)

Should the operator not be seated, OSS automatically prohibits operations such as:

- Truck movement
- Lift, lower, tilt functions
- Seat belt warning light reminds the operator to fasten belt
- Directional lever must be in the neutral position to start the truck

Electronic Parking Brake

Conveniently located next to the hydraulic control levers.

Improved Visibility

The 9 series LP forklifts have hydraulic hoses and mast chains strategically placed for wide forward visibility. This is crucial for safe operation and increased productivity.

'Operator Optimized' Display Location

Display remains in full view of the operator even while driving or using the hydraulic control levers.

Rear Grab Handle w/ Horn

Allows the operator to sound the horn and still remain in control when traveling in reverse. The grab bar is placed so that the operator's hand is always inside the safety guard.

Safety Strobe, Alarm & Rear View Mirrors

Safety strobe, back-up alarm and side mirrors come standard on all models.

Productivity

Reliable Durability

5-Year, 10,000 Hr. Oil Cooled Disc Brake Warranty

- Discs are submerged in oil, keeping them cool and limiting wear
- 100% of friction material is used for superior stopping power
- OCDB are more easily serviced in the field than traditional brakes
- System is sealed for maximum protection against contamination



Optimized Cooling System

- Larger radiator offers increased cooling capacity
- Structural design of the radiator fan maximizes airflow
- Larger hydraulic reservoir helps dissipate engine heat
- Greater cooling capacity equals increased versatility

Heavy Duty Hydrostatic Steer Axle

- No mechanical connections between steering wheel and steer axle
- Low effort steering for operator comfort and reduced fatigue
- Quick steering response for increased maneuverability and safety
- Grease fittings on king pin and steer linkage for easy maintenance
- Shock absorbing steer axle bushings extend service life

Superior Components

- Larger king pins and tapered roller bearings for a stronger axle
- Angled rollers are stronger against side forces
- Tapered roller bearings have an inner race, eliminating wear on the king pin



Doosan



Others



Doosan Industrial Vehicle America Corp.

Excellent Serviceability

Easily Serviced Less Often



Daily safety and routine maintenance checks are easy thanks to logical placement of commonly checked items. Doosan maximizes run time.

Easy to access service areas

- The engine cover opens extra wide to offer great access
- Spring lock enabled for safety and convenience
- Performing general maintenance is easy
- Toolless floor plates provide easy access

Well-positioned components make service a breeze

- Air filter service display on dashboard for fast servicing
- Easily accessed maintenance-related components
- Centralized fuse & relay access

Quick access to key elements

- Battery
- Air filter
- Oil filters
- Dipsticks & level indicators

Well-placed LED display keeps operators informed

- Continuous monitoring of all vital systems
- Service error codes on dashboard display
- Easy to read large LED display



Application Versatility

Solutions to Fit Your Various Needs

Special application packages make these machines a perfect fit in almost any environment.

Heavy Duty Cooling Package

Short Shuttle & Long Run Applications
Attachment use application

Features Include:

- Increased Cooling Capacity Radiator
- High Speed Fan



Fiber/Paper/Lumber Package

Dirty or Dusty Applications

Features Include:

- Increased Cooling Capacity Radiator
- High Speed Fan
- Louvered Side Panel
- Radiator Screen
- Belly Protection & Engine Guard
- Pre-cleaner



Beverage/Warehouse Package

Short Shuttle & Long Run Applications
Features Include:

- Increased Cooling Capacity Radiator
- High Speed Fan
- Bottler's Tilt (forward : 10"/ back : 6")
- Louvered Side Panel



Rail Road/Warehouse Package

Short Shuttle & Long Run Applications
Features Include:

- Increased Cooling Capacity Radiator
- High Speed Fan
- Louvered Side Panel
- Box Car Special
- Swing Out & Tilt Down LP Cradle



Dedicated Support

Doosan Adds Value

Easy to Purchase

Over 165 Authorized Doosan Dealership locations with trained experts ready to support you.

Easy to Lease

Doosan Financial Services offers world class lease and finance options.

Easy to Own

Doosan's Assurance Warranty is one of the most comprehensive warranties in the business. Doosan's proven lower cost of ownership makes the new 9 Series trucks the natural choice when it is time for your next purchase.

Parts Availability

- Extensive domestic parts operation
- Industry-leading first-pass fill rates
- Dedicated experts to assist you
- Peace of mind



Doosan's Industry-Leading Parts Operation



Doosan's North American Headquarters

By the Numbers

Doosan Forklifts Lower Overall Cost of Ownership

Here are some of the key elements in which Doosan Forklifts offer significant savings over time.

Robust Steer Axle Components

Heavier components and superior engineering merge to create a steer axle assembly which should last on average 5 years. This could save you over \$2,500 in repair costs.

Oil Cooled Disc Brakes

With a 5-year or 10,000 hour warranty, our braking system is superior in every way. Much easier to service in the field than traditional shoe brakes, our OCDBs could save you more than \$2,250 in repair costs alone.

Fewer Scheduled Preventative Maintenance Jobs

Doosan saves you money by lengthening the periods between scheduled maintenance. With Doosan's PM schedule, you could see a \$1,200 savings within the first 5 years.



BCS-9

Doosan Forklifts Box Car Special

Space constraints? Consider Doosan's BCS models. With a shorter counterweight, these trucks easily navigate congested work spaces.

BCS units are heavily used in industry segments such as railroads, airports, paper mills, manufacturing, warehousing and freight transport.



MAST SPECIFICATION and RATED CAPACITIES

GC15/18S-9 GC20SC-9	Mast Fork Height		Overall Length Mast Lowered Height		Extended Height (W/LBR)		Extended Height (WO/LBR)		Free Lift (W/LBR)		Free Lift (WO/LBR)		BACK TILT
	inch	mm	inch	mm	inch	mm	inch	mm	inch	mm	inch	mm	deg
STD	79	2,000	58	1,480	120	3,045	101	2,575	5	130	5	130	8
	118	3,000	78	1,980	159	4,045	141	3,575	5	130	5	130	8
	130	3,300	84	2,130	171	4,345	153	3,875	5	130	5	130	8
	146	3,700	92	2,330	187	4,745	168	4,275	5	130	5	130	8
	197	5,000	122	3,105	238	6,045	219	5,575	5	130	5	130	8
FF	118	3,000	78	1,980	159	4,045	142	3,600	38	975	56	1,420	5
	130	3,300	84	2,130	171	4,345	154	3,900	44	1,125	62	1,570	5
	138	3,500	88	2,230	179	4,545	161	4,100	48	1,225	66	1,670	5
FFT	157	4,000	73	1,860	199	5,050	181	4,605	34	855	51	1,300	5
	177	4,500	80	2,025	218	5,545	201	5,100	40	1,020	58	1,465	5
	187	4,750	83	2,110	228	5,795	211	5,350	44	1,105	61	1,550	5
	197	5,000	88	2,225	238	6,045	220	5,600	48	1,220	66	1,665	5
	217	5,500	97	2,460	258	6,550	240	6,105	57	1,455	75	1,900	5
	236	6,000	103	2,625	277	7,045	260	6,600	64	1,620	81	2,065	5

GC20/25S-9	Mast Fork Height		Overall Length Mast Lowered Height		Extended Height (W/LBR)		Extended Height (WO/LBR)		Free Lift (W/LBR)		Free Lift (WO/LBR)		BACK TILT
	inch	mm	inch	mm	inch	mm	inch	mm	inch	mm	inch	mm	deg
STD	80	2,030	60	1,535	129	3,285	102	2,585	6	152	6	152	8
	118	3,000	80	2,020	168	4,255	140	3,555	6	152	6	152	8
	127	3,230	84	2,135	177	4,485	149	3,785	6	152	6	152	8
	150	3,800	100	2,535	199	5,060	172	4,360	6	152	6	152	8
	171	4,350	111	2,810	221	5,610	193	4,910	6	152	6	152	8
FF	127	3,230	84	2,135	177	4,485	149	3,785	37	930	64	1,630	8
	142	3,600	94	2,385	191	4,860	164	4,160	46	1,180	74	1,880	8
FFT	154	3,900	72	1,835	203	5,160	176	4,460	25	630	52	1,330	5
	169	4,290	78	1,970	219	5,565	192	4,865	30	765	58	1,465	5
	186	4,730	83	2,110	236	5,985	208	5,285	36	905	63	1,605	5
	189	4,805	84	2,135	239	6,060	211	5,360	37	930	64	1,630	5
	204	5,170	90	2,280	253	6,425	225	5,725	42	1,075	70	1,775	5
	219	5,560	97	2,460	268	6,810	241	6,110	49	1,255	77	1,955	5
	237	6,010	103	2,610	286	7,260	258	6,560	55	1,405	83	2,105	5
256	6,500	112	2,850	305	7,755	278	7,055	65	1,645	92	2,345	5	
QUAD	240	6,100	84	2,135	290	7,360	262	6,660	37	930	64	1,630	5
	261	6,640	92	2,335	311	7,900	283	7,200	44	1,130	72	1,830	5
	277	7,035	96	2,435	327	8,300	299	7,600	48	1,230	76	1,930	3
	313	7,945	109	2,765	362	9,205	335	8,505	61	1,560	89	2,260	3
	325	8,250	113	2,875	374	9,505	347	8,805	66	1,670	93	2,370	3

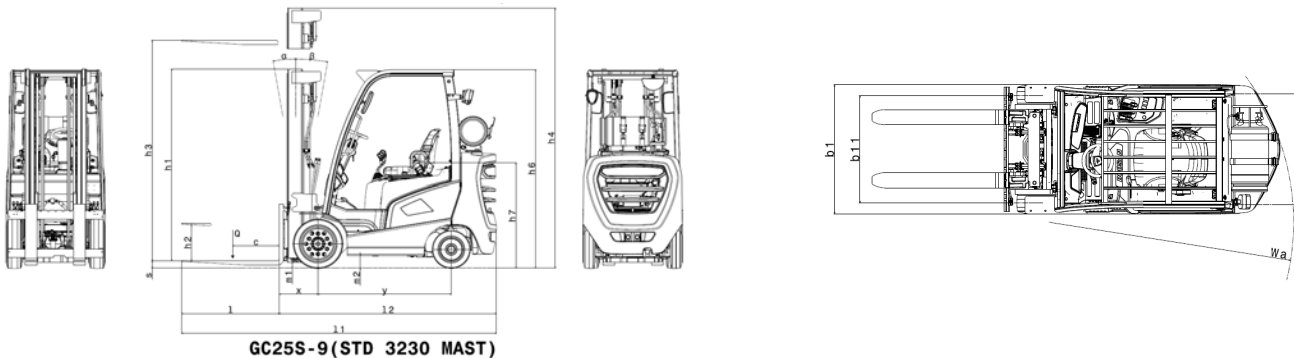
GC30/33S-9	Mast Fork Height		Overall Length Mast Lowered Height		Extended Height (W/LBR)		Extended Height (WO/LBR)		Free Lift (W/LBR)		Free Lift (WO/LBR)		BACK TILT
	inch	mm	inch	mm	inch	mm	inch	mm	inch	mm	inch	mm	deg
STD	118	3,000	80	2,020	168	4,255	150	3,800	6	152	6	152	8
	127	3,230	84	2,135	176	4,480	159	4,030	6	152	6	152	8
	148	3,760	97	2,455	197	5,015	180	4,565	6	152	6	152	8
	195	4,960	122	3,110	244	6,205	227	5,755	6	152	6	152	8
FF	116	2,950	79	1,995	165	4,200	145	3,675	31	795	52	1,315	8
	127	3,230	84	2,135	176	4,480	156	3,955	37	935	57	1,455	8
	142	3,600	94	2,385	191	4,855	170	4,330	47	1,185	67	1,705	8
FFT	154	3,900	73	1,860	203	5,155	182	4,630	26	660	46	1,180	5
	186	4,730	84	2,135	235	5,980	215	5,455	37	935	57	1,455	5
	189	4,805	85	2,160	238	6,055	218	5,530	38	960	58	1,480	5
	204	5,170	91	2,305	253	6,420	232	5,900	44	1,105	64	1,625	5
	219	5,560	98	2,485	268	6,805	247	6,280	51	1,285	71	1,805	5
	237	6,010	104	2,635	286	7,255	265	6,730	56	1,435	77	1,955	5
	256	6,500	113	2,875	305	7,750	284	7,225	66	1,675	86	2,195	5
QUAD	240	6,100											
	261	6,640											
	277	7,035											
	313	7,945											

Note : Mast Specifications & Rated Capacities are based on standard chassis with pneumatic tire and without side shifter.

GC35S-9	Mast Fork Height		Overall Length Mast Lowered Height		Extended Height (W/LBR)		Extended Height (WO/LBR)		Free Lift (W/LBR)		Free Lift (WO/LBR)		BACK TILT deg
	inch	mm	inch	mm	inch	mm	inch	mm	inch	mm	inch	mm	
STD	118	3,000	86	2,185	168	4,265	153	3,890	6	160	6	160	6
	130	3,300	92	2,335	180	4,565	165	4,190	6	160	6	160	6
	191	4,850	134	3,410	241	6,115	226	5,740	6	160	6	160	6
FF	118	3,000	85	2,165	167	4,240	149	3,780	38	965	56	1,425	6
FFT	157	4,000	81	2,045	207	5,265	188	4,775	33	845	53	1,340	6
	167	4,250	84	2,135	218	5,530	198	5,040	37	935	56	1,425	6
	185	4,700	90	2,285	235	5,980	216	5,490	43	1,085	62	1,575	6
	189	4,800	91	2,320	240	6,085	220	5,595	44	1,120	63	1,610	6
	203	5,150	96	2,435	253	6,430	234	5,940	49	1,235	68	1,725	6
	220	5,600	102	2,585	271	6,880	252	6,390	55	1,385	74	1,875	6
	238	6,050	108	2,735	289	7,330	269	6,840	60	1,535	80	2,025	6
	256	6,500	114	2,885	306	7,780	287	7,290	66	1,685	86	2,175	3
	276	7,000	121	3,070	326	8,280	307	7,790	74	1,870	93	2,360	3

GC45S-9	Mast Fork Height		Overall Length Mast Lowered Height		Extended Height (W/LBR)		Extended Height (WO/LBR)		Free Lift (W/LBR)		Free Lift (WO/LBR)		BACK TILT deg
	inch	mm	inch	mm	inch	mm	inch	mm	inch	mm	inch	mm	
STD	118	3,000	86	2,185	174	4,415	154	3,905	6	160	6	160	6
	130	3,300	92	2,335	186	4,715	166	4,205	6	160	6	160	6
	144	3,650	99	2,510	199	5,065	179	4,555	6	160	6	160	6
	157	4,000	112	2,835	213	5,415	193	4,905	6	160	6	160	6
FF	118	3,000	85	2,165	173	4,390	152	3,855	32	815	53	1,355	6
FFT	157	4,000	81	2,045	213	5,415	191	4,860	27	695	49	1,255	6
	167	4,250	84	2,135	224	5,680	202	5,125	31	785	53	1,340	6
	185	4,700	90	2,285	241	6,130	219	5,575	37	935	59	1,490	6
	203	5,150	96	2,435	259	6,580	237	6,025	43	1,085	65	1,640	6
	220	5,600	102	2,585	277	7,030	255	6,475	49	1,235	70	1,790	6
	256	6,500	114	2,885	312	7,930	290	7,375	60	1,535	82	2,090	6

GC55C-9	Mast Fork Height		Overall Length Mast Lowered Height		Extended Height (W/LBR)		Extended Height (WO/LBR)		Free Lift (W/LBR)		Free Lift (WO/LBR)		BACK TILT deg
	inch	mm	inch	mm	inch	mm	inch	mm	inch	mm	inch	mm	
STD	108	2,750	86	2,185	164	4,165	149	3,790	7	170	7	170	6
	120	3,050	92	2,335	176	4,465	161	4,090	7	170	7	170	6
	134	3,400	99	2,510	190	4,815	175	4,440	7	170	7	170	6
	148	3,750	112	2,835	203	5,165	189	4,790	7	170	7	170	6
FF	130	3,300	91	2,305	184	4,685	169	4,285	38	965	54	1,370	6
FFT	153	3,875	81	2,045	208	5,290	192	4,865	28	705	44	1,130	6
	162	4,125	84	2,135	219	5,555	202	5,130	31	795	48	1,220	6
	180	4,575	90	2,285	236	6,005	220	5,580	37	945	54	1,370	6
	198	5,025	96	2,435	254	6,455	237	6,030	43	1,095	60	1,520	6
	216	5,475	102	2,585	272	6,905	255	6,480	49	1,245	66	1,670	6
	233	5,925	108	2,735	290	7,355	273	6,930	55	1,395	72	1,820	6
	251	6,375	114	2,885	307	7,805	291	7,380	61	1,545	78	1,970	6



Doosan Industrial Vehicle America Corp.
Website: www.doosanlift.com

AUTHORIZED DEALER

GCS-9_SPEC



GC15S-9 / GC18S-9 / GC20SC-9

GC20S-9 / GC25S-9 / GC30S-9 / GC33S-9

GC35S-9 / GC35S-9 BCS / GC45S-9 / GC45S-9 BCS / GC55C-9 / GC55C-9 BCS

9 SERIES FORKLIFTS

Internal Combustion Cushion Tire Forklifts

3,000 lb. to 12,000 lb. Capacity



TECHNICAL DATA

Characteristics	1.1	Manufacturer			Doosan	Doosan	Doosan	
	1.2	Model Designation			GC15S-9	GC18S-9	GC20SC-9	
	1.3	Drive: Diesel, Gasoline, LP			LP	LP	LP	
	1.4	Operator Type: Seated			Seated	Seated	Seated	
	1.5	Load Capacity	Q	lb(kg)	3,000 (1,340)	3,500 (1,560)	4,000(1,785)	
	1.6	Load Center	c	in(mm)	24 (610)	24 (610)	24(610)	
	1.8	Load Distance: Center of Driveaxle to Fork	x	in(mm)	15.5 (394)	15.5 (394)	15.7(399)	
	1.9	Wheelbase	y	in(mm)	50.6 (1,285)	50.6 (1,285)	50.6(1,285)	
	Weight	2.1	Service Weight			lb(kg)	6,038 (2,739)	6,460 (2,930)
2.2		Axle Loading, Loaded Front/Rear			lb(kg)	7,529/1,462 (3,415/663)	8,393/1,504 (3,807/682)	9,292/1,545 (4,215/701)
2.3		Axle Loading, UnLoaded Front/Rear			lb(kg)	2,266/3,770 (1,028/1,710)	2,266/4,191 (1,028/1,901)	2,266/4,634 (1,028/2,102)
Tires	3.1	Tires: Pneumatic (P), Cushion (C)				C	C	C
	3.2	Tire size, Front				18 x 6 x 12.12	18 x 6 x 12.12	18 x 6 x 12.12
	3.3	Tire size, Rear				14 x 5 x 10	14 x 5 x 10	14 x 5 x 10
	3.5	Wheels, number Front/Rear				2/2	2/2	2/2
	3.6	Tread, Front	b11	in(mm)		31.0 (786)	31.0 (786)	31.0 (786)
	3.7	Tread, Rear	b12	in(mm)		32.0 (814)	32.0 (814)	32.0 (814)
Dimensions	4.1	Tilt of Mast Forward/Backward	a/b	°		6/8	6/8	6/8
	4.2	Height, Mast lowered	h1	in(mm)		78.0 (1,980)	78.0 (1,980)	78.0 (1,980)
	4.3	Free Lift	h2	in(mm)		5.1 (130)	5.1 (130)	5.3 (135)
	4.4	Max Fork Height	h3	in(mm)		118.0 (3,000)	118.0 (3,000)	118.0 (3,000)
	4.5	Height, Mast Extended	h4	in(mm)		159.3 (4,045)	159.3 (4,045)	159.4 (4,050)
	4.7	Height of Overhead Guard(Cabin)	h6	in(mm)		81.0 (2,060)	81.0 (2,060)	81.0 (2,060)
	4.8	Height of Seat	h7	in(mm)		41.5 (1,055)	41.5 (1,055)	41.5 (1,055)
	4.19	Overall Length	l1	in(mm)		124.1 (3,152)	124.9 (3,173)	127.1 (3,228)
	4.20	Length to Forkface	l2	in(mm)		82.8 (2,102)	83.6 (2,123)	85.7 (2,178)
	4.21	Overall Width	b1/b2	in(mm)		37.0 (940)	37.0 (940)	37.0 (940)
	4.22	Fork Dimensions	s/e/l	in (mm)		1.4x4x41 (35x100x1,050)	1.4x4x41 (35x100x1,050)	1.4x4x41 (35x100x1,050)
	4.23	Fork Carriage ISO 2328, Class/Type A,B				II/A	II/A	II/A
	4.24	Fork Carriage Width	b3	in(mm)		37.0 (940)	37.0 (940)	37.0 (940)
	4.31	Ground Clearance, Loaded (Below Mast)	m1	in(mm)		3.0 (75)	3.0 (75)	3.0 (75)
	4.32	Ground Clearance, Center of Wheelbase	m2	in(mm)		4.1 (105)	4.1 (105)	4.1 (105)
	4.34.1	Aisle Width for Pallets L=48" x W=40"	Ast	in(mm)		127.6 (3,242)	129.3 (3,284)	130.5 (3,314)
4.35	Turning Radius	Wa	in(mm)		71.9 (1,826)	73.5 (1,867)	74.4 (1,891)	
4.36	Internal Turning Radius	b13	in(mm)		23.8 (605)	23.8 (605)	23.8 (605)	
Performance Data	5.1	Travel Speed, Loaded/UnLoaded		mph (km/h)		11.1/11.1 (17.8/17.8)	11.1/11.1 (17.8/17.8)	11.1/11.1 (17.8/17.8)
	5.2	Lift Speed, Loaded/UnLoaded		fpm (m/s)		126/130 (0.64/0.66)	124/130 (0.63/0.66)	122/130 (0.62/0.66)
	5.3	Lowering Speed, Loaded/UnLoaded		fpm (m/s)		100.4/98.4 (0.51/0.5)	100.4/98.4 (0.51/0.5)	100.4/98.4 (0.51/0.5)
	5.5	Drawbar pull, Loaded/UnLoaded(@ 1mph)		lb(N)		3,196 (14,225)	3,196 (14,225)	3,196 (14,225)
	5.6	Max. Drawbar pull, Loaded/UnLoaded		lb(N)		3,636 (16,180)	3,636 (16,180)	3,636 (16,180)
	5.7	Gradeability, Loaded/UnLoaded(@ 1mph)		%		38.5/69.4	33.0/60.1	31.0/56.1
	5.8	Max. Gradeability, Loaded/UnLoaded		%		46.8/90.1	39.8/76.0	36.5/70.3
	5.10	Service Brake				Foot/Hydraulic	Foot/Hydraulic	Foot/Hydraulic
Combustion Engine	7.1	Engine Manufacturer/Type				PSI/4G63	PSI/4G63	PSI/4G63
	7.2	Engine Power		hp(kW)		50.6 (37.7)	50.6 (37.7)	50.6 (37.7)
	7.3	Rated Speed		min-1		2,450	2,450	2,450
	7.3.1	Torque at 1/min		ft•lbs (N•m)		110@1,800 (148.7@1,800)	110@1,800 (148.7@1,800)	110@1,800 (148.7@1,800)
	7.4	Number of Cylinders/Displacement		-/cc(-/cm3)		4/1,997	4/1,997	4/1,997
7.10	Battery Voltage/Normal Capacity		V/Ah		12/45	12/45	12/45	
Oth.	10.1	Operating Pressure for Attachments		psi(bar)		2,553 (176)	2,553 (176)	2,553 (176)
	10.2	Oil Volume for Attachments		gpm(l/min)		13.2 (50)	13.2 (50)	13.2 (50)

Note: Specification values quoted in this spec sheet have been rounded. Performance may vary due to operating conditions. Products and specifications are subject to improvement and change without prior notice.

Characteristics	1.1	Doosan	Doosan	Doosan	Doosan	Doosan
	1.2	GC20S-9	GC25S-9	GC30S-9	GC33S-9	GC35S-9
	1.3	LP	LP	LP	LP	LP
	1.4	Seated	Seated	Seated	Seated	Seated
	1.5	4,000 (1,800)	5,000 (2,250)	6,000 (2,700)	6,500 (2,950)	8,000 (3,629)
	1.6	24 (610)	24 (610)	24 (610)	24 (610)	24 (610)
	1.8	16.3 (415)	16.3 (415)	16.5 (420)	16.5 (420)	17.6 (447)
	1.9	56.3 (1,430)	56.3 (1,430)	56.3 (1,430)	56.3 (1,430)	61.8 (1,570)
	Weight	2.1	7,400 (3,365)	8,200 (3,715)	9,300 (4,225)	9,750 (4,430)
2.2		9,920/1,480 (4,495/670)	11,450/1,750 (5,185/780)	13,350/1,950 (6,045/880)	14,110/2,140 (6,410/970)	18,043/3,427 (8,184/1,554)
2.3		3,100/4,300 (1,405/1,960)	2,930/5,270 (1,325/2,390)	3,080/6,220 (1,400/2,825)	2,940/6,810 (1,335/3,095)	4,657/8,813 (2,112/3,997)
Tires	3.1	C	C	C	C	C
	3.2	21x7-15	21x7-15	21x8-15	21x8-15	22 x 9 x16
	3.3	16x5-10.5	16x5-10.5	16x6-10.5	16x6-10.5	18 x 7 x 12.2
	3.5	2/2	2/2	2/2	2/2	2/2
	3.6	34.9 (887)	35.9 (912)	35.9 (912)	35.7 (907)	41.0 (1,042)
	3.7	36.0 (915)	36.0 (915)	36.0 (915)	35.0 (890)	41.1 (1,044)
	Dimensions	4.1	6/8	6/8	6/8	6/8
4.2		83.9 (2,130)	83.9 (2,130)	83.9 (2,130)	83.9 (2,130)	84.1 (2,135)
4.3		5.8 (147)	5.8 (147)	6.0 (152)	6.0 (152)	6.3 (160)
4.4		127.0 (3,230)	127 (3,230)	127 (3,230)	127 (3,230)	113.4 (2,880)
4.5		176.4 (4,480)	176.4 (4,480)	176.4 (4,480)	176.4 (4,480)	162.0 (4,115)
4.7		83.6 (2,125)	83.6 (2,125)	83.6 (2,125)	83.6 (2,125)	84.8 (2,155)
4.8		43.0 (1,095)	43.0 (1,095)	43.0 (1,095)	43.0 (1,095)	43.5 (1,105)
4.19		130.9 (3,325)	133.1 (3,380)	135.4 (3,440)	136.8 (3,475)	162.2 (4,120)
4.20		89.6 (2,275)	91.7 (2,330)	94.1 (2,390)	95.5 (2,425)	102.0 (2,590)
4.21		41.9 (1,065)	41.9 (1,065)	43.7 (1,110)	43.7 (1,110)	50.0 (1,270)
4.22		1.6x3.9x41.3 (40x100x1,050)	1.6x3.9x41.3 (40x100x1,050)	1.8x4.9x41.3 (45x125x1,050)	1.8x4.9x41.3 (45x125x1,050)	2.0x5.9x47.2 (50x150x1,200)
4.23		II/A	II/A	III/A	III/A	III/A
4.24		38.3 (973)	38.3 (973)	40.35 (1,025)	40.35 (1,025)	44.6 (1,132)
4.31		4.33 (110)	4.33 (110)	4.33 (110)	4.33 (110)	4.3 (110.5)
4.32		5.31 (135)	5.31 (135)	5.31 (135)	5.31 (135)	5.1 (130)
4.34.1		142.3 (3,615)	144.3 (3,665)	146.5 (3,720)	147.6 (3,750)	163.9 (4,164)
4.35	76.2 (1,935)	78 (1,980)	80.3 (2,040)	81.5 (2,070)	90.5 (2,298)	
4.36	25.4 (644)	25.4 (644)	25.4 (644)	25.4 (644)	29.5 (750)	
Performance Data	5.1	10.6/10.9 (17/17.5)	10.6/10.9 (17/17.5)	10.3/10.9 (16.5/17.5)	10.3/10.9 (16.5/17.5)	10.2/10.5 (16.4/16.9)
	5.2	124/128 (0.63/0.65)	122/128 (0.62/0.65)	120/128 (0.61/0.65)	118/128 (0.60/0.65)	120.1/126.0 (0.61/0.64)
	5.3	100.4/90.5 (0.51/0.46)	100.4/90.5 (0.51/0.46)	100.4/90.5 (0.51/0.46)	100.4/90.5 (0.51/0.46)	100.4/88.6 (0.51/0.45)
	5.5	4,760/3,880 (17,540/17,250)	3,950/3,920 (17,540/17,410)	4,100/4,010 (18,230/17,850)	3,920/3,870 (17,440/17,220)	7,181/7,209 (31,987/32,115)
	5.6	4,400/4,300 (19,580/19,130)	4,410/4,350 (19,610/19,330)	4,620/4,470 (20,520/19,880)	4,420/4,300 (19,630/19,130)	7,154/8,224 (31,870/36,632)
	5.7	33.0/54.4	28.0/48.6	25.5/43.5	22.0/39.1	36.0/64.0
	5.8	37.5/62.3	30.4/53.3	28.8/49.6	24.8/44.2	42.0/77.0
	5.10	Foot/Hydraulic	Foot/Hydraulic	Foot/Hydraulic	Foot/Hydraulic	Foot/Hydraulic
Combustion Engine	7.1	GCT/K25	GCT/K25	GCT/K25	GCT/K25	PSI/4X 4.3L
	7.2	59.0 (44.0)	59.0 (44.0)	59.0 (44.0)	59.0 (44.0)	94.0 (70.0)
	7.3	2,600	2,600	2,600	2,600	2500
	7.3.1	132.9@1,600 (180.2)@1,600	132.9@1,600 (180.2)@1,600	132.9@1,600 (180.2)@1,600	132.9@1,600 (180.2)@1,600	209.4@1,800 (284)@1,800
	7.4	4/2,488	4/2,488	4/2,488	4/2,488	6/4,294
	7.10	12/50	12/50	12/50	12/50	12/75
Oth.	10.1	2,260 (156)	2,260 (156)	2,260 (156)	2,260 (156)	2,030 (140)
	10.2	15.9 (60)	15.9 (60)	15.9 (60)	15.9 (60)	31.7 (120)

Characteristics	1.1	Doosan	Doosan	Doosan	Doosan	Doosan
	1.2	GC35S-9 BCS	GC45S-9	GC45S-9 BCS	GC55C-9	GC55C-9 BCS
	1.3	LP	LP	LP	LP	LP
	1.4	Seated	Seated	Seated	Seated	Seated
	1.5	8,000 (3,629)	10,000 (4,536)	10,000 (4,536)	12,000 (5,443)	12,000 (5,443)
	1.6	24 (610)	24 (610)	24 (610)	24 (610)	24 (610)
	1.8	17.6 (447)	18.0 (457)	17.6 (447)	18.0 (457)	18.0 (457)
	1.9	61.8 (1,570)	70.5 (1,790)	61.8 (1,570)	70.5 (1,790)	70.5 (1,790)
	Weight	2.1	12,808 (5,810)	15,754 (7,146)	14,658 (6,649)	16,702 (7,576)
2.2		18,378/2,430 8,336/1,102)	20,830/4,924 (9,448/2,234)	21,744/2,914 (9,863/1,322)	23,948/4,753 (10,863/2,156)	24,257/4,083 (11,003/1,852)
2.3		4,992/7,816 (2,264/3,545)	4,869/10,885 (2,208/4,937)	4,884/9,774 (2,215/4,433)	4,795/11,906 (2,175/5,401)	5,104/11,236 (2,315/5,097)
Tires	3.1	C	C	C	C	C
	3.2	22 x 9 x 16	22 x 12 x 16	22 x 12 x 16	22 x 12 x 16	22 x 12 x 16
	3.3	18 x 7 x 12.2	18 x 8 x 12.2	18 x 8 x 12.2	18 x 8 x 12.2	18 x 8 x 12.2
	3.5	2/2	2/ 2	2/ 2	2/ 2	2/ 2
	3.6	41.0 (1,042)	43.9 (1,116)	43.9 (1,116)	43.9 (1,116)	43.9 (1,116)
	3.7	41.1 (1,044)	41.1 (1,044)	41.1 (1,044)	41.1 (1,044)	41.1 (1,044)
	Dimensions	4.1	5/6	5/6	5/6	5/6
4.2		84.1 (2,135)	86.0 (2,185)	86.0 (2,185)	86.0 (2,185)	86.0 (2,185)
4.3		6.3 (160)	6.3 (160)	6.3 (160)	6.3 (160)	6.3 (160)
4.4		113.4 (2,880)	113.4 (2,880)	113.4 (2,880)	103.5 (2,630)	103.5 (2,630)
4.5		162.0 (4,115)	169.9 (4,315)	169.9 (4,315)	160.0 (4,065)	160.0 (4,065)
4.7		84.8 (2,155)	84.8 (2,155)	84.8 (2,155)	84.8 (2,155)	84.8 (2,155)
4.8		43.5 (1,105)	43.5 (1,105)	43.5 (1,105)	43.5 (1,105)	43.5 (1,105)
4.19		162.2 (4,120)	162.2 (4,120)	162.2 (4,120)	162.2 (4,120)	162.2 (4,120)
4.20		97.6 (2,480)	105.9 (2,690)	101.3 (2,573)	108.3 (2,750)	104.5 (2,655)
4.21		50.0 (1,270)	55.9 (1,420)	55.9 (1,420)	55.9 (1,420)	55.9 (1,420)
4.22		2.0x5.9x47.2 (50x150x1,200)	2.4x5.9x47.2 (60x150x1,200)	2.4x5.9x47.2 (60x150x1,200)	2.4x5.9x47.2 (60x150x1,200)	2.4x5.9x47.2 (60x150x1,200)
4.23		III/A	IV/A	IV/A	IV/A	IV/A
4.24		44.6 (1,132)	50.8 (1,290)	50.8 (1,290)	50.8 (1,290)	50.8 (1,290)
4.31		4.3 (110.5)	4.3 (110.5)	4.3 (110.5)	4.3 (110.5)	4.3 (110.5)
4.32		5.1 (130)	5.1 (130)	5.1 (130)	5.1 (130)	5.1 (130)
4.34.1		148.3 (3,767)	160.6 (4,078)	153.7 (3,905)	162.8 (4,136)	160.4 (4,073)
4.35	82.8 (2,104)	95.1 (2,415)	87.9 (2,232)	97 (2,463)	94.5 (2,400)	
4.36	29.5 (750)	29.5 (750)	29.5 (750)	29.5 (750)	29.5 (750)	
Performance Data	5.1	10.2/10.5 (16.4/16.9)	10.0/10.5 (16.1/16.9)	10.2/10.4 (16.4/16.8)	10.0/10.5 (16.0/16.9)	10.0/10.5 (16.1/16.9)
	5.3	120.1/126.0 (0.61/0.64)	116.1/126.0 (0.59/0.64)	116.1/126.0 (0.59/0.64)	110.2/126.0 (0.56/0.64)	110.2/126.0 (0.56/0.64)
	5.5	100.4/88.6 (0.51/0.45)	100.4/88.6 (0.51/0.45)	100.4/88.6 (0.51/0.45)	100.4/ 88.6 (0.51/0.45)	100.4/88.6 (0.51/0.45)
	5.6	7,198/7,227 (32,066/32,193)	7,016/7,143 (31,252/31,821)	7,152/7,181 (31,860/31,987)	6,939/7,117 (30,909/31,703)	6,948/7,128 (30,948/31,752)
	5.6	8,270/ 8,241 (36,838/36,711)	8,070/8,153 (35,946/36,319)	8,224/8,195 (36,632/36,505)	7,993/8,127 (35,603/36,201)	8,001/8,136 (35,643/36,240)
	5.7	38.0/69.0	29.0/51.0	34.0/56.0	25.0/47.0	25.0/49.0
	5.8	44.0/84.0	33.0/61.0	35.0/68.0	29.0/56.0	29.0/58.0
	5.10	Foot/Hydraulic	Foot/Hydraulic	Foot/Hydraulic	Foot/Hydraulic	Foot/Hydraulic
Combustion Engine	7.1	PSI/4X 4.3L	PSI/4X 4.3L	PSI/4X 4.3L	PSI/4X 4.3L	PSI/4X 4.3L
	7.2	94 (70)	94 (70)	94 (70)	94 (70)	94 (70)
	7.3	2,500	2,500	2,500	2,500	2,500
	7.3.1	209.4@1,800 (284.0)@1,800	209.4@1,800 (284.0)@1,800	209.4@1,800 (284.0)@1,800	209.4@1,800 (284.0)@1,800	209.4@1,800 (284.0)@1,800
	7.4	6/4,294	6/4,294	6/4,294	6/4,294	6/4,294
	7.10	12/75	12/75	12/75	12/75	12/75
Oth.	10.1	2,030 (140)	2,030 (140)	2,030 (140)	2,030 (140)	2,030 (140)
	10.2	31.7 (120)	31.7 (120)	31.7 (120)	31.7 (120)	31.7 (120)

DIVAC North American Dealer Network

Doosan Industrial Vehicle America Corp. (DIVAC) provides high quality support through its extensive dealer network. No matter where you are located, Doosan-trained professionals are always ready to help you.

- North American Dealer Locations
- * North American Headquarters



Worldwide Service Network

Doosan Industrial Vehicle provides quality support, sales and service on a world-wide scale. Factory trained experts share their experience and knowledge with various Doosan subsidiaries around the world. This means you always have options and assistance, no matter where you are.



- Production Subsidiary
- Sales Subsidiary



Doosan Industrial Vehicle America Corp.

2475 Mill Center Parkway, Suite #400
 Buford, GA 30518
 P) 678-745-2200 F) 678-745-2250
 Web) www.doosanlift.com

Authorized Dealer

