



Bendi®

B40i5

**4-Wheel Heavy Capacity
LP Gas Engine Powered
Multi-Purpose Articulated Forklift**

STANDARD FEATURES

- 4,000 lb. (1,814kg) Capacity at 24" (600mm) Load Center
- Tier III Certified, LP Gas, 2.5L, Kubota Industrial Engine
- Gear Driven Valve Train - No Belts or Chains
- CAN-Bus Electronics for Integrated Control of Drive, Lift and Steering
- Simplified Maintenance, Diagnostics and Calibration through Dash Display
- Dash Display with Hour Meter, Fuel Gauge and Engine Monitoring
- Via-Sonic Fuel Level Sensor with 99.5% Accuracy
- Heavy Duty Dual Rear Wheel Hydraulic Motors
- Automatic Hydrostatic Braking and Foot Activated Hydraulic Parking Brake
- Lift Heights to 360" (9.14M)
- 78" (1.98M) Stacking Aisle with 48" (1,219mm) Long Load
- High Visibility 3-Stage or 4-Stage Mast
- Integral 11.2" (285mm) Stroke Sideshifter and 36" (914mm) High Load Backrest
- Dual Indoor / Outdoor Capability
- Articulated 42" (1,067mm) Wide Floating Front Axle
- Large Diameter Smooth Rubber Drive Tires
- Polyurethane Load Tires
- 180° Front-End "DuraSteer" Articulation / Steering Assembly with Extended Warranty
- Comfortable Seated Operation with all Truck Controls within Easy Reach
- Adjustable Vinyl Suspension Swivel Seat
- Armrest and Adjustable Steering Column, Key Switch, Horn and Seat Belt
- Hydraulic Power Steering
- 4-Post Heavy-Duty Overhead Guard
- Safety Deadman Seat Switch
- Heavy Duty Unitized Robotic Welded Chassis Design
- Provisions for RF Terminals Provided
- Accepts Class II Attachments
- Easily Accessible Components for Low Cost Maintenance

LANDOLL CORPORATION
www.landoll.com/mhp | 800-428-5655

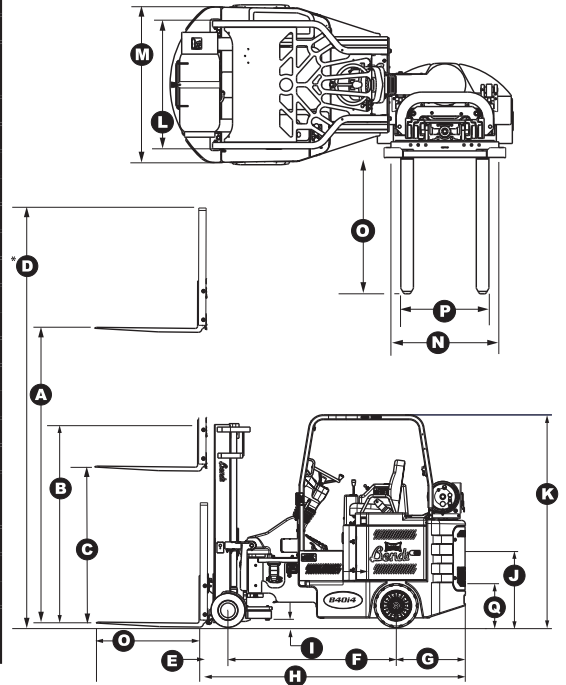


TECHNICAL DATA

| MODEL | | | B40i5 |
|-----------------------------|---|--|--------------------------|
| Capacity | | at 24" (600mm) Load Center | lbs/kg 4,000 / 1,814 |
| Truck Weight | | with Battery | lbs/kg 13,700 / 6,214 |
| Travel Speed | | Loaded | mph/kph 8 / 13 |
| | | Unloaded | mph/kph 8 / 13 |
| Lift Speed | | Loaded | fpm/mpm 90 / 27.4 |
| | | Unloaded | fpm/mpm 100 / 30.5 |
| Lowering Speed | | Loaded | fpm/mpm 100 / 30.5 |
| | | Unloaded | fpm/mpm 90 / 27.4 |
| Mast Tilt | | Fwd / Back - Up to 293" (7.44M) | deg 3 / 3 |
| | | Fwd / Back - 294" (7.45M) | deg 1 / 2 |
| | | to 360" (9.14M) | |
| HP Rating | | LP Gas Engine at 2,600 RPM | HP 61.7 |
| Lost Load Center | E | | in/cm 12 / 30.5 |
| Wheelbase | F | | in/cm 69 / 175.25 |
| Rear Overhang | G | | in/cm 28 / 71 |
| Overall Length to Fork Face | H | | in/cm 109 / 277 |
| Underclearance | I | | in/cm 10 / 25 |
| Operator Floor Height | J | | in/cm 31 / 79 |
| Overhead Guard Height | K | | in/cm 87 / 221 |
| Overhead Guard Width | L | | in/cm 40 / 101.5 |
| Overall Width | M | | in/cm 49 / 124.5 |
| Fork Carriage Width | N | | in/cm 41 / 104 |
| Fork Length | O | | in/cm 40 / 101.5 |
| Out to Out Fork Spread | P | Minimum / Maximum | in/cm 9.4-39.5 / 24-100 |
| Intermediate Step Height | Q | | in/cm 19 / 48 |
| Right Angle Stacking Aisle | | with 48"L x 40"W (1200mm x 1000mm) Load | in/cm 78 / 198 |
| Intersecting Aisle | | | in/cm 114 / 289 |
| Gradeability | | Loaded / Unloaded | % 15 / 15 |
| | | Front 2 Each Poly-Dia. x Face | in/cm 14x5 / 36x13 |
| Wheel Sizes | | Front 2 Each Poly-Dia. x Face | in/cm 18x7x12 / 46x18x30 |
| | | Rear 2 Each Rubber-Dia. x Face | |

B40i5

LP Gas Engine Powered Mult-Purpose Articulated Forklift Truck



MAST DIMENSIONS

| LIFT HEIGHT (A) | | LOWERED HEIGHT (B) | | *FREE LIFT (C) | | **OVERALL HEIGHT (D) | |
|-----------------------|------|--------------------|------|----------------|------|----------------------|-------|
| In | M | In | M | In | M | In | M |
| Triple (3 Stage) Mast | | | | | | | |
| 188 | 4.78 | 83 | 2.11 | 47 | 1.19 | 224 | 5.69 |
| 198 | 5.03 | 87 | 2.21 | 51 | 1.30 | 234 | 5.94 |
| 216 | 5.49 | 95 | 2.41 | 59 | 1.50 | 252 | 6.40 |
| 224 | 5.69 | 98 | 2.49 | 62 | 1.57 | 260 | 6.60 |
| 240 | 6.10 | 106 | 2.69 | 70 | 1.78 | 276 | 7.01 |
| 258 | 6.55 | 115 | 2.92 | 79 | 2.01 | 294 | 7.47 |
| 272 | 6.91 | 121 | 3.07 | 85 | 2.16 | 308 | 7.82 |
| 294 | 7.47 | 128 | 3.25 | 92 | 2.34 | 330 | 8.38 |
| 312 | 7.92 | 132 | 3.35 | 96 | 2.44 | 348 | 8.84 |
| 322 | 8.18 | 137 | 3.48 | 101 | 2.57 | 358 | 9.09 |
| 360 | 9.14 | 156 | 3.96 | 120 | 3.05 | 396 | 10.06 |

The specifications contained in this spec sheet are subject to change at any time without notice. Actual dimensions and performance data given herein may vary due to manufacturing tolerances.

| LIFT HEIGHT (A) | | LOWERED HEIGHT (B) | | *FREE LIFT (C) | | **OVERALL HEIGHT (D) | |
|--|------|--------------------|------|----------------|------|----------------------|------|
| In | M | In | M | In | M | In | M |
| Quad (4 Stage) Mast | | | | | | | |
| 250 | 6.35 | 87 | 2.21 | 51 | 1.30 | 286 | 7.26 |
| 258 | 6.55 | 89 | 2.26 | 53 | 1.35 | 294 | 7.47 |
| 276 | 7.01 | 95 | 2.41 | 59 | 1.50 | 312 | 7.92 |
| 294 | 7.47 | 101 | 2.57 | 65 | 1.65 | 330 | 8.38 |
| 312 | 7.92 | 107 | 2.72 | 71 | 1.80 | 348 | 8.84 |
| * Free Lift Based on 36" (914mm) High Load Backrest | | | | | | | |
| ** Overall Height Based on 36" (914 mm) High Load Backrest | | | | | | | |

AISLE DIMENSIONS

| LOAD DEPTH X WIDTH | MINIMUM CLEAR AISLE |
|------------------------------|---------------------|
| 40" x 48" (1,000 x 1,200 mm) | 72" (1,828 mm) |
| 48" x 40" (1,200 x 1,000 mm) | 78" (1,981 mm) |
| Transfer or End Aisle | 114" (2,895 mm) |



www.landoll.com/mhp

1900 North Street | Marysville, KS 66508 | (800) 428-5655

Bendi



Intertek



B40i5-0717