



B15T/B18T/B20T-7
B16X/B18X/B20X-7

Doosan 7 Series

3 & 4 Wheel Electric Forklifts
3,000 lb. to 4,000 lb. Capacity



Leading the Way

Our 7 Series 3 Wheel and 4 Wheel electric counterbalance forklifts continue the Doosan tradition of delivering impressive performance, at the best possible value for our customers.

The operator compartment is designed specifically to keep the operator in control at all times, improving productivity while reducing stress and fatigue. The design also offers improved visibility and ergonomic hydraulic controls.

Extended maintenance intervals and advanced technology components reduce the overall cost of ownership. The latest AC control systems provide an unbeatable combination of power and reliability. Select components are customizable to perfectly fit an operator's requirements, while providing maximum control and productivity.



Powerful & Reliable Technology

Outfitted with the latest technology from Curtis Instruments, the Doosan 7 Series provides a winning combination of performance and functionality. The Curtis AC control system allows our trucks to be surprisingly versatile, maintaining high productivity in various work environments. The AC drive and hydraulic motors deliver smooth and seamless power with minimal energy consumption.

Latest in Safety & Technology

The newly developed **E-motor Foot Brake (EFB)** reduces foot pedal fatigue and replaces traditional hydraulic brakes with the electric motor controlled brakes.

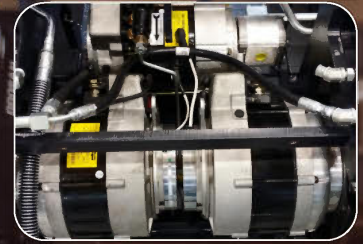
The Electromagnetic Auto Parking Brake provides the operator with safety and convenience. Whenever the operator leaves the seat, the truck's parking brake is automatically applied with a superior ramp-hold function. There is no danger of the machine rolling away, even if it is left unattended on a ramp or a slope.



Curtis Controller
Reliable, Stable Operation
IP65 Rated



Enclosed Drive & Pump Motor
Simple, Powerful
IP43 Rated



Optimized Steer Angle
BT (3 Wheel Truck): 90°
BX (4 Wheel Truck): 86°



Rounded Counterweight Design



**Easy and Instinctive
Instrument Panel**



Maximized Productivity in Warehouse Applications

Efficient storage is the primary goal for many warehouse managers. Our 3 wheel models have steer axles that turn 90°, enabling the machines to maneuver with ease even in the tightest spaces. The 4 wheel models also have steer axle designs which have been carefully engineered to minimize the turning radius and can now achieve an outstanding 86° steer angle. In addition, the rounded design of the counter-weight enables the truck to move comfortably in and out of narrow spaces, reducing damage.

Outdoor Operations

The Doosan 7 Series electric forklifts are water resistant and are safe for outdoor use. The sealed controllers are rated IP65 and the motors are rated IP43, with silicone seals on all related wiring and connectors. This means they are fully protected from dust, debris and moisture allowing them to be used outdoors with no problems.

Increased Visibility, Optimum Safety

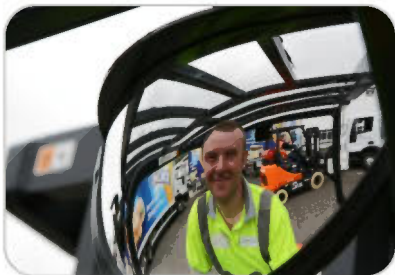
Precision designed with angled roof bars, the overhead guard profile provides a clear view upwards while ensuring ultimate strength for safety. An open rear view and an optional panoramic mirror offer additional safety to reduce accidents and unnecessary damage to trucks, products or racking.

The chains and hydraulic hoses are neatly arranged so that they provide a clear, unobstructed front view through the mast. All auxiliary hoses used on attachments, such as the integrated side-shift, are aligned behind the mast chain and cylinders, which allow excellent front visibility.

Doosan's standard Rear Grab Handle makes reversing more comfortable and safe. The easy grip handle is positioned ergonomically for the operator's to locate effortlessly, instead of around the overheard guard, which could lead to hand injuries. The integrated horn button allows the operator to keep one hand on the handle without having to reach for the steering wheel.



Rear Grab Handle
Adds to safety, comfort and convenience when traveling in reverse.



Panoramic Mirror

Provides the operator a clear view of the entire back and rear working area, improving work safety & efficiency.



Neatly arranged Hydraulic Hoses

Reduce clutter and provide better visibility.



LED Lights

Brighter and longer-lasting than traditional sealed beams or halogen lights.

E-motor Foot Brake (EFB)

- The new 7 Series EFB replaces hydraulic brakes by utilizing the electric motor controller to stop the truck
- Uses less pedal force for decreased ankle fatigue
- Simple brake structure reduces maintenance costs





Ergonomic Design

Operators perform best when they are comfortable in their working conditions, and the Doosan 7 Series has been designed to make this a reality. The steering column, full suspension comfort seat, armrest and even the optional headrest are all fully adjustable to accommodate any operator's individual preferences. All of the control functions and displays are thoughtfully arranged for maximum comfort. In addition, operators can control the truck's performance settings during operation, simply by navigating the instrument panel. The Doosan finger-tip control system and the mechanical hydraulic levers enable the easiest operation imaginable.



**Fully Adjustable
Steering Column**



**Fully Adjustable
Suspension Seat**



**Operator Convenience
Tray**



Easy to Control

Hydraulic Levers: Simple, reliable, and familiar. The direction switch is located on the hydraulic lift lever, enabling a quick change of direction from forward to reverse safely. There is no need to take your hands off the steering wheel or the hydraulic levers.

Gen 2 Finger-tip Controls: Advanced ergonomics provide optimal performance. These fast, precise and instinctive controllers make operating the Doosan 7 Series effortless and efficient.



**Ergonomic Placement
of Hydraulic Controls**



**Advanced Fingertip
Controls (Option)**



**Complete Operator
Comfort &
Convenience**



Ease of Access Ensures Maximum Safety

Operators have the need to get on and off the truck frequently for different reasons. With this in mind, a number of features were added to make this process easier and safer than ever before:

- Large step plate with an anti-slip pattern ensures firm footing even for large safety boots
- Easy grip entry bar makes entering and exiting the machine safer
- Large uncluttered floor plate with no trip hazards provide improved comfort and more leg room
- Angled floor plate reduces strain on the ankles, and large pedals ensure maximum safety and ease of operation



**Three-Point Entry/
Exit System**



**Fatigue Reducing
Floor Mat**



**Large Open Floorplate,
Increased Leg Room**



Maximum Safety & Stability, the Doosan Guardian Stability System (GSS)

Doosan equipment is designed to promote safe and stable operation. Doosan's Guardian Stability System (GSS) will dynamically protect the operator and the load to reduce the risk of accidents. The 7 Series meets all current demands for operator safety and machine stability in every application.

Doosan Safety - Key Features

Guardian Stability System (GSS)

- Decreased travel speed (50%) when mast is raised above primary stage
- Forward tilt reduced 2 degrees when mast is raised above primary stage
- Alarm when mast is raised above primary stage with mast tilted more than 2°

Quiet & Smooth Operation

A cushioned modulating hydraulic valve is included in the secondary cylinder of FF and FFT masts to prevent staging noise. This results in quiet operation and longer mast life.

Battery Discharge Indicator

Lifting will be disabled if the battery is discharged to 20% during operation.

Mast Lowering Inter-Lock (ISO3691)

If the operator keys off or gets off the seat, the hydraulic lift & tilt locking system will limit the motion of the truck.

Mast Tilt Lock (ISO3691)

Hydraulic locks prevent hydraulic drift when lowering and tilting.

Unlimited Ramp Hold

The Electromagnetic Auto Parking Brake (EPB) prevents the forklift from rolling back if the truck is stopped on a slope. Operators can get off the truck easily without braking.

Neutral Safety Switch

If the truck is in forward or reverse mode, it must be returned to neutral mode before operation can begin.

Automatic Speed Control

Angle sensors control the travel speed in sharp turns. The truck automatically reduces travel speed for safety when turning corners.

Operator Sensing System (OSS)

Should the operator leave the seat, OSS automatically restricts vital operations such as:

- Truck movement
- Lift, lower, tilt functions
- Seat belt warning light reminds the operator to fasten belt
- Directional lever must be in the neutral position to start the truck

Seat Belt Indicator

A warning light in the instrument panel will flash when the seat belt is unfastened.

Turtle Mode

Reduces travel speed to a previously set parameter without affecting lift speed.

Auto Tilt Leveling (Optional)

Returns the mast to vertical position easily by tilt angle sensing.





B18T-7 Series
B15/18/20T-7
36 or 48V 3 Wheel Truck

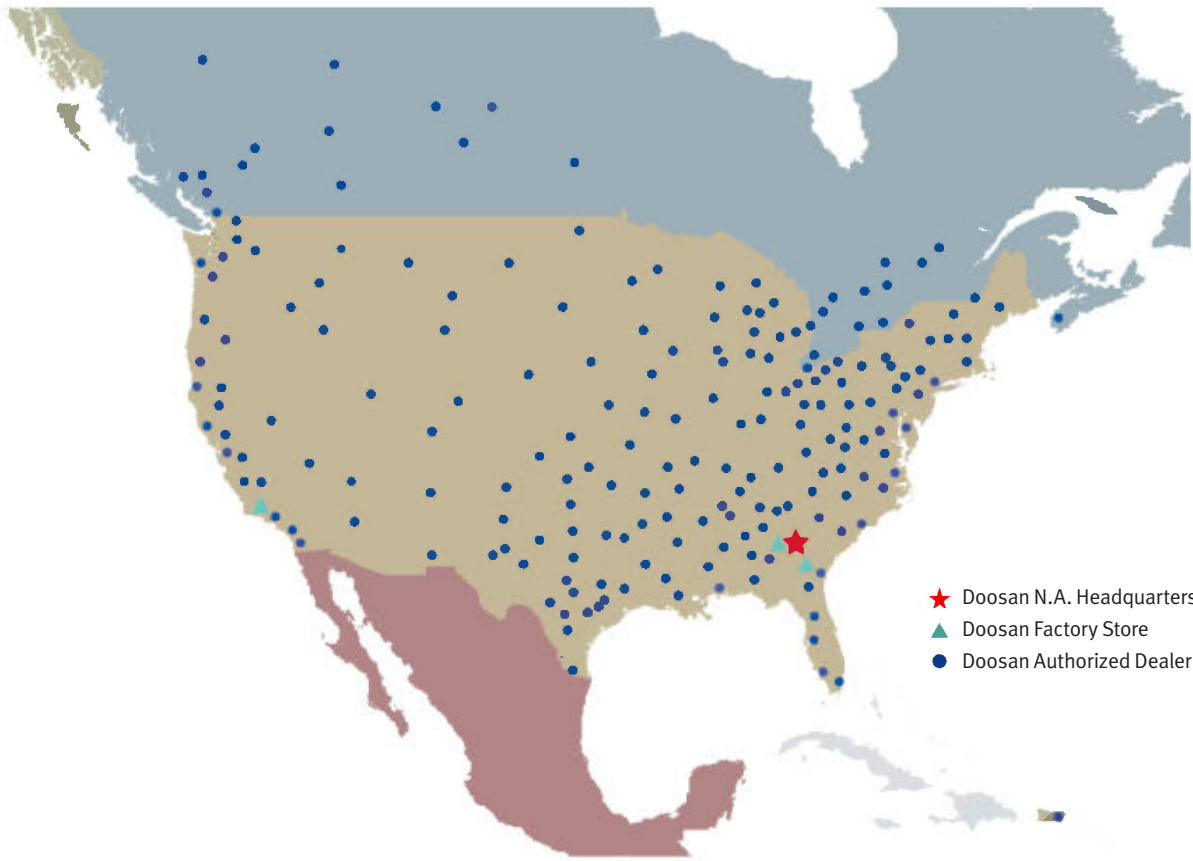


B18X-7 Series
B16/18/20X-7
48V, 4 Wheel truck

Major Specification		B15T-7	B18T-7	B20T-7	B16X-7	B18X-7	B20X-7
Classification		3 Wheel Electric			4 Wheel Electric		
Capacity	lb	3,000	3,500	4,000	3,200	3,600	4,000
Load Center	in	24					
Wheel Base	in	52.1	56.0	56.9	58.9	58.9	58.9
Turning Radius	in	59.6	63.6	64.9	74.3	74.3	74.3
Load Moment Center	in	14.8	14.8	15	14.8	14.8	15
Travel Speed	mph	10.6					
Lift Speed (U/L)	ft/s	1.3 / 2.0					
Lowering Speed (U/L)	ft/s	1.6 / 1.5					
Max. Gradeability (at 1.0 mph, Loaded)	%	26	25	24	26	25	24
Max. Drawbar Pull (Loaded)	ft.lbf	2,864					
Right Angle Stacking Aisle Width; 39.4 x 47.2	in	126.6	130.6	132.1	136.5	136.5	136.7
Right Angle Stacking Aisle Width; 31.5 x 47.2	in	131.5	135.5	137.0	144.3	144.3	144.5
Steer Angle	deg.	90	90	90	86	86	86

Standard & Optional Features

Safety & Stability, Guardian Stability System (GSS)	Standard	Option
OSS (Operator Sensing System)	<input type="radio"/>	
Neutral Safety Switch	<input type="radio"/>	
Unlimited Ramp Hold	<input type="radio"/>	
Battery Discharge Indicator	<input type="radio"/>	
Seat Belt Indicator	<input type="radio"/>	
(ISO 3691) Mast Lowering Inter-Lock & Tilt Lock	<input type="radio"/>	
Rear Grab Handle	<input type="radio"/>	
Emergency Stop Switch	<input type="radio"/>	
Guardian Stability System	<input type="radio"/>	
- Decreased Travel Speed (Up to 50%) When Mast is Raised Above Primary Stage		
- Forward Tilt Reduced 2 Degrees when Mast is Raised Above Primary Stage		
- Alarm when Mast is Raised Above Primary Stage with Mast Tilted more than 2 Degrees		
- Automatic Speed Control when turning Corners		
Auto Tilt Leveling		<input type="radio"/>
Productivity	Standard	Option
E-Motor Foot Brake (EFB)	<input type="radio"/>	
Full AC System Chassis	<input type="radio"/>	
Rounded Counterweight	<input type="radio"/>	
IP65 Rated Curtis Controller	<input type="radio"/>	
IP43 Rated PAL Enclosed Motors	<input type="radio"/>	
86° (BX)/ 90° (BT) Steer Angle	<input type="radio"/>	
Electromagnetic Automatic Parking Brake (EPB)	<input type="radio"/>	
Cushion Tires, Super Elastic and Pneumatic Tires Standard by Model		<input type="radio"/>
Cushioned Hydraulic Valve in Secondary Cylinder (FFL & FFT)		<input type="radio"/>
Accessory for DIN Type Battery Installation		<input type="radio"/>
Battery Roller System		<input type="radio"/>
Cooling Options: Fans & Fin Type Controller		
Application Packages: Cooler & Freezer		<input type="radio"/>
Operator Comfort (Ergonomics)	Standard	Option
Easy Grip Entry Bar & Large Step Plate with Anti-Slip Pattern	<input type="radio"/>	
Large & Angled Floor Plate (Leg Room) with Rubber Cushion	<input type="radio"/>	
Rounded Battery Cover	<input type="radio"/>	
Easy to Read Instrument Panel	<input type="radio"/>	
Adjustable Tilt Steering Column & Easy Grip (Size Φ 280) Steering Wheel	<input type="radio"/>	
Hydraulic Control Lever with Direction Switch	<input type="radio"/>	
Large Cup Holder, USB Port & 12V Power Outlet, Clipboard Holder	<input type="radio"/>	
LED Lights (2 Front/1 Rear Flood)	<input type="radio"/>	
Finger-Tip Control		<input type="radio"/>
Premium Seat: Grammer MSG65 Series		<input type="radio"/>
Panoramic Mirror		<input type="radio"/>
Special Height Overhead Guards		<input type="radio"/>
Mono Pedals		<input type="radio"/>
Modular Cabin		<input type="radio"/>
Durability & Serviceability	Standard	Option
Robust Frame & Overhead Guard	<input type="radio"/>	
Easy to Access Controller & Motors	<input type="radio"/>	
Wide Opening Battery Cover	<input type="radio"/>	
Tool Few Side Cover with Air Ventilation	<input type="radio"/>	
Durable Heat-Resisting (38" SQ)Cables	<input type="radio"/>	
Easy Diagnostic & Fine-Tune	<input type="radio"/>	



- ★ Doosan N.A. Headquarters
- ▲ Doosan Factory Store
- Doosan Authorized Dealer

Doosan's North American Dealer Network

With a vast dealer support network providing nearly 200 servicing locations nationwide, Doosan provides superior material handling solutions for your specific needs. From energy efficient electrics to robust internal combustion forklifts, Doosan is your full-line provider.



Doosan Industrial Vehicle America Corp.
 2475 Mill Center Parkway, Suite 400
 Buford, GA 30518
 p. 678-745-2200
 f. 678-745-2250
www.doosanlift.com

PSCBTBX7-V3

AUTHORIZED DEALER



B15T/18T/20T-7
B16X/B18X/B20X-7

Doosan 7 Series

3 & 4 Wheel Electric Forklifts
3,000 lb. to 4,000 lb. Capacity



MAIN SPECIFICATIONS - 36V

CHARACTERISTICS	1	Model			B15T-7	B18T-7	B20T-7	
	2	Load Capacity	@ Rated Load Center	lb (kg)	3,000 (1,500)	3,500 (1,750)	4,000 (2,000)	
	3	Load Center		in (mm)	24 (610)	24 (610)	24 (610)	
	4	Power Type			AC Electric	AC Electric	AC Electric	
	5	Operator Type			Driver Seated	Driver Seated	Driver Seated	
	6	Tire Type	SE = Super Elastic, C = Cushion		C/SE*	C/SE*	C/SE*	
	7	Wheels (x = Drive)	Number of Front/Rear		x 2/1	x 2/1	x 2/1	
DIMENSIONS	8	Max. Fork Height	With STD 2 Stage Mast		in (mm)	130 (3,300)	130 (3,300)	130 (3,300)
	9	Free Lift			in (mm)	5.1 (130)	5.1 (130)	5.3 (135)
	10	Fork Carriage	ISO Class			II	II	II
	11	Forks	Thickness x Width x Length		in (mm)	1.4x3.9x41.3 (35x100x900)	1.4x3.9x41.3 (35x100x900)	1.6x3.9x41.3 (40x100x900)
			Fork Spacing (Min./Max.)		in (mm)	9.5/35.6 (240/905)	9.5/35.6 (240/905)	9.5/35.6 (240/905)
	12	Tilt of Mast	Forward/Backward		deg	5/7	5/7	5/7
	13	Overall Dimensions	Length to Fork Face		in (mm)	74.4 (1,891)	78.4 (1,991)	79.9 (2,029)
			Overall Length		in (mm)	115.7 (2,791)	119.7 (2,891)	121.2 (2,929)
			Overall Width		in (mm)	42.9 (1,090)	42.9 (1,090)	42.9 (1,090)
			Mast Lowered Height		in (mm)	78.7 (2,000)	78.7 (2,000)	78.7 (2,000)
			Mast Extended Height		in (mm)	159.3 (4,045)	159.3 (4,045)	159.4 (4,050)
			Overhead Guard Height		in (mm)	79.0 (2,010)	79.0 (2,010)	79.0 (2,010)
	19	Seat Height			in (mm)	36.2 (919)	36.2 (919)	36.2 (919)
	20	Outer Turning Radius			in (mm)	59.6 (1,515)	63.6 (1,615)	64.9 (1,648)
	21	Inner Turning Radius			in (mm)	-	-	-
	22	Load Moment Center	Center of Drive Axle to Fork Face		in (mm)	14.8 (376)	14.8 (376)	15.0 (381)
23	Right Angle Stacking Aisle Width (with Pallets & Clearance)	48" x 40" (1,000 x 1,200) Pallet		in (mm)	126.6 (3,216)	130.5 (3,316)	132.0 (3,354)	
		48" x 31" (800 x 1,200) Pallet		in (mm)	131.5 (3,341)	135.5 (3,441)	137.0 (3,479)	
PERFORMANCE	25	Speed	Travel	Loaded/Unloaded	mph (km/h)	8.7/8.7 (14.0/14.0)	8.7/8.7 (14.0/14.0)	8.7/8.7 (14.0/14.0)
			Lifting	Loaded/Unloaded	fpm (mm/s)	61/108 (310/550)	61/108 (310/550)	61/108 (310/550)
			Lowering	Loaded/Unloaded	fpm (mm/s)	98/89 (500/450)	98/89 (500/450)	98/89 (500/450)
	28	Max. Drawbar Pull	Loaded at 1.0 mph		lb (kg)	2,734 (1,240)	2,734 (1,240)	2,734 (1,240)
	29	Max. Gradability	Loaded at 1.0 mph		%	24%	23%	22%
WEIGHT	30	Total Weight	With Min. Weight of Battery		lb (kg)	6,821 (3,094)	7,072 (3,208)	7,910 (3,588)
	31	Axle Load	Loaded, Front/Rear		lb (kg)	8,858/1,269 (4,018/576)	9,673/1,256 (4,388/570)	10,785/1,534 (4,892/696)
			Unloaded, Front/Rear		lb (kg)	3,362/3,459 (1,525/1,569)	3,439/3,633 (1,560/1,648)	3,688/4,221 (1,673/1,915)
CHASSIS	33	Tires	Size	Front		18 x 7 x 12.12	18 x 7 x 12.12	18 x 7 x 12.12
			Rear		15 x 6 x 11.25	15 x 6 x 11.25	15 x 6 x 11.25	
	35	Wheel Base	Distance		in (mm)	52 (1,323)	56 (1,423)	57 (1,446)
	36	Tread Width	Front		in (mm)	35.5 (902)	35.5 (902)	35.5 (902)
			Rear		in (mm)	7.8 (198)	7.8 (198)	7.8 (198)
	38	Ground Clearance	Loaded	@ Lowest	in (mm)	3.4 (86)	3.4 (86)	3.4 (86)
			@ Center of Wheel Base		in (mm)	3.9 (100)	3.9 (100)	3.9 (100)
	40	Brakes	Service			Electric	Electric	Electric
Parking				Auto-Electric	Auto-Electric	Auto-Electric		
POWER TRAIN	41	Battery	Type			Lead-Acid	Lead-Acid	Lead-Acid
			Voltage		V	36	36	36
			Capacity (5 Hour Rating)	Normal	AH	700	900	900
			Battery Compartment Sizes (L x W x H)Max.	Normal	in (mm)	20.7 x 39.0 x 27.4 (528 x 992 x 695)	23.9 x 39.0 x 27.4 (608 x 992 x 695)	23.9 x 39.0 x 27.4 (608 x 992 x 695)
			Weight (Min/Max)		lb (kg)	1,543/2,083 (700/945)	1,764/2,645 (800/1,200)	2,315/2,645 (1,050/1,200)
	42	Electric Motors	Drive Motor Rating at S2 60 Minute		kW	6.0 x 2	6.0 x 2	6.0 x 2
			Lifting Motor Rating at S3 15%		kW	14	14	14
	43	Control Type	Drive and Hydraulic		Type	AC	AC	AC
	44	Drive Axle	Brake Type		Type	E-Motor	E-Motor	E-Motor
	45	Relief Pressure	System		psi (kPa)	2,550 (17,600)	2,880 (19,860)	3,125 (21,550)
46	Attachment			psi (kPa)	2,040 (14,000)	2,040 (14,000)	2,040 (14,000)	
47	Hydraulic Oil Tank	Capacity		L	20	20	20	

Note: For fully enclosed batteries or for batteries with battery cover please contact your local Doosan dealer.
For battery compartment specs with battery rollers, please contact your local Doosan dealer.

MAIN SPECIFICATIONS - 48V

CHARACTERISTICS	1	Model		B15T-7	B18T-7	B20T-7		
	2	Load Capacity	@ Rated Load Center	lb (kg)	3,000 (1,500)	3,500 (1,750)	4,000 (2,000)	
	3	Load Center		in (mm)	24 (610)	24 (610)	24 (610)	
	4	Power Type			AC Electric	AC Electric	AC Electric	
	5	Operator Type			Driver Seated	Driver Seated	Driver Seated	
DIMENSIONS	6	Tire Type	SE = Super Elastic, C = Cushion		SE/C*	SE/C*	SE/C**	
	7	Wheels (x = Drive)	Number of Front/Rear		x 2/1	x 2/1	x 2/1	
	8	Max. Fork Height	With STD 2 Stage Mast	in (mm)	130 (3,300)	130 (3,300)	130 (3,300)	
	9	Free Lift		in (mm)	5.1 (130)	5.1 (130)	5.3 (135)	
	10	Fork Carriage	ISO Class		II	II	II	
	11	Forks	Thickness x Width x Length	in (mm)	1.4x3.9x41.3 (35x100x900)	1.4x3.9x41.3 (35x100/900)	1.6x3.9x41.3 (40x100x900)	
			Fork Spacing (Min./Max.)	in (mm)	9.5/35.6 (240/905)	9.5/35.6 (240/905)	9.5/35.6 (240/905)	
	12	Tilt of Mast	Forward/Backward	deg	5°/7°	5°/7°	5°/7°	
	13-19	Overall Dimensions	Length to Fork Face	in (mm)	74.4 (1,891)	78.4 (1,991)	79.9 (2,029)	
			Overall Length	in (mm)	115.7 (2,791)	119.7 (2,891)	121.2 (2,929)	
			Overall Width	in (mm)	42.9 (1,090)	42.9 (1,090)	44.1 (1,119)	
			Mast Lowered Height	in (mm)	84.6 (2,150)	84.6 (2,150)	84.6 (2,150)	
			Mast Extended Height	in (mm)	171 (4,345)	171 (4,345)	171.3 (4,350)	
			Overhead Guard Height	in (mm)	79.0 (2,010)	79.0 (2,010)	79.0 (2,010)	
			Seat Height	in (mm)	36.2 (919)	36.2 (919)	36.2 (919)	
	20	Outer Turning Radius		in (mm)	59.6 (1,515)	63.6 (1,615)	64.9 (1,648)	
	21	Inner Turning Radius		in (mm)	-	-	-	
	22	Load Moment Center	Center of Drive Axle to Fork Face	in (mm)	14.8 (376)	14.8 (376)	15.0 (381)	
	23-24	Right Angle Stacking Aisle Width (with Pallets & Clearance)	48" x 40" (1,000 x 1,200) Pallet	in (mm)	126.6 (3,216)	130.5 (3,316)	132.0 (3,354)	
			48" x 31" (800 x 1,200) Pallet	in (mm)	131.5 (3,341)	135.5 (3,441)	137.0 (3,479)	
PERFORMANCE	25-27	Speed	Loaded/Unloaded	mph (km/h)	10.6/10.6 (17/17)	10.6/10.6 (17/17)	10.6/10.6 (17/17)	
			Loaded/Unloaded	fpm (mm/s)	79/118 (400/600)	79/118 (400/600)	79/118 (400 / 600)	
			Loaded/Unloaded	fpm (mm/s)	98/89 (500/450)	98/89 (500/450)	98/89 (500/450)	
	28	Max. Drawbar Pull	Loaded at 1.0 mph	lb (kg)	2,864 (1,300)	2,864 (1,300)	2,864 (1,300)	
	29	Max. Gradeability	Loaded at 1.0 mph	%	26%	25%	24%	
WEIGHT	30	Total Weight	With Min. Weight of Battery	lb (kg)	6,675 (3,028)	6,927 (3,142)	7,654 (3,472)	
	31-32	Axle Load	Loaded, Front/Rear	lb (kg)	8,792/1,190 (3,988/540)	9,607/1,177 (4,358/534)	10,672/1,391 (4,841/631)	
			Unloaded, Front/Rear	lb (kg)	3,296/3,379 (1,495/1,533)	3,373/3,553 (1,530/1,612)	3,578/4,076 (1,623/1,849)	
CHASSIS	33-34	Tires	Size	Front	18 x 7-8	18 x 7-8	200 x 50-10	
			Rear	15 x 4.5-8	15 x 4.5-8	16 x 6-8		
	35	Wheel Base	Distance	in (mm)	52.0 (1,323)	56.0 (1,423)	57.0 (1,446)	
	36-37	Tread Width	Front	in (mm)	35.5 (902)	35.5 (902)	35.9 (912)	
			Rear	in (mm)	6.6 (167)	6.6 (167)	7.9 (201)	
	38-39	Ground Clearance	Loaded	@ Lowest	in (mm)	3.4 (86)	3.4 (86)	3.4 (86)
			@ Center of Wheel Base	in (mm)	3.9 (100)	3.9 (100)	3.9 (100)	
	40	Brakes	Service		Electric	Electric	Electric	
Parking				Auto-Electric	Auto-Electric	Auto-Electric		
POWER TRAIN	41	Battery	Type		Lead-Acid	Lead-Acid	Lead-Acid	
			Voltage	V	48	48	48	
			Capacity (5 Hours Rating)	Normal	AH	600	700	700
			Battery Compartment Sizes (W x L x H) Max.	Normal	in (mm)	20.7 x 39.0 x 27.4 (528 x 992 x 695)	23.9 x 39.0 x 27.4 (608 x 992 x 695)	23.9 x 39.0 x 27.4 (608 x 992 x 695)
			Weight (Min/Max)	lb (kg)	1,543/1,837 (700/833)	1,764/2,330 (800 /1,057)	2,205/2,755 (1,000/1,250)	
	42	Electric Motors	Drive Motor Rating at S2 60 Minute	kW	6.0 x 2	6.0 x 2	6.0 x 2	
			Lifting Motor Rating at S3 15%	kW	14	14	14	
	43	Control Type	Drive and Hydraulic	Type	AC	AC	AC	
	44	Drive Axle	Brake Type	Type	E-Motor	E-Motor	E-Motor	
	45-46	Relief Pressure	System	psi (kPa)	2,550 (17,600)	2,880 (19,860)	3,125 (21,550)	
Attachment			psi (kPa)	2,040 (14,000)	2,040 (14,000)	2,040 (14,000)		
47	Hydraulic Oil Tank	Capacity	L	20	20	20		

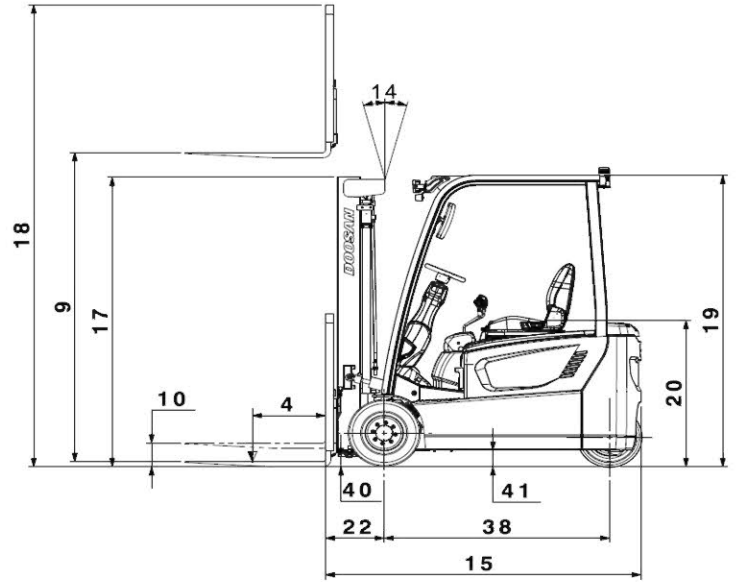
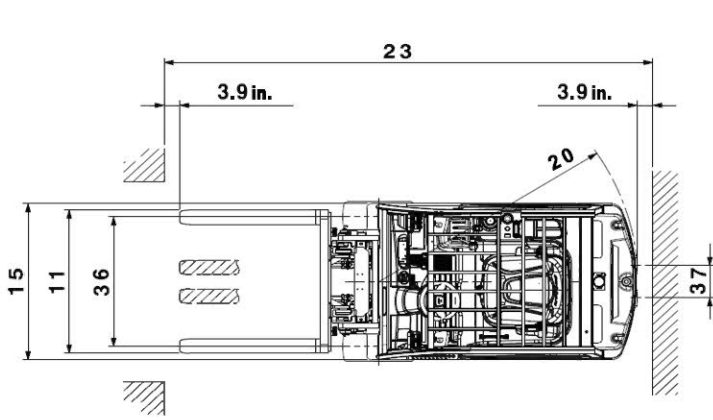
Note: For fully enclosed batteries or for batteries with battery cover please contact your local Doosan dealer.
For battery compartment specs with battery rollers, please contact your local Doosan dealer.

MAIN SPECIFICATIONS - 48V

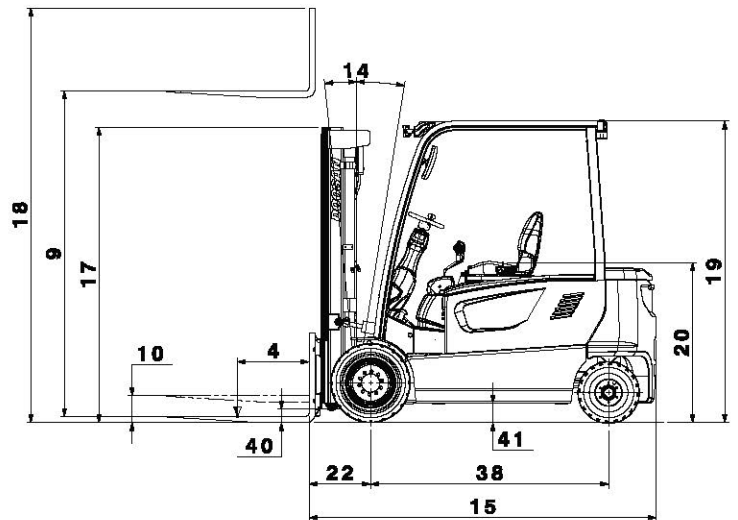
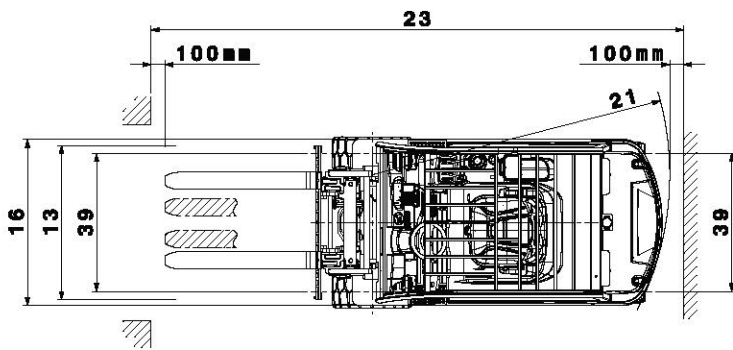
CHARACTERISTICS	1	Model			B16X-7	B18X-7	B20X-7	
	2	Load Capacity	@ Rated Load Center	lb (kg)	3,200 (1,600)	3,600 (1,800)	4,000 (2,000)	
	3	Load Center		in (mm)	24 (610)	24 (610)	24 (610)	
	4	Power Type			AC Electric	AC Electric	AC Electric	
	5	Operator Type			Driver Seated	Driver Seated	Driver Seated	
	6	Tire Type	SE = Super Elastic, P = Pneumatic		SE/P*	SE	SE	
	7	Wheels (x = Drive)	Number of Front/Rear		x 2/2	x 2/2	x 2/2	
DIMENSIONS	8	Max. Fork Height	With STD 2 Stage Mast	in (mm)	130 (3,300)	130 (3,300)	130 (3,300)	
	9	Free Lift		in (mm)	5.1 (130)	5.1 (130)	5.3 (135)	
	10	Fork Carriage	ISO Class		II	II	II	
	11	Forks	Thickness x Width x Length	in (mm)	1.4x3.9x41.3 (35x100x900)	1.4x3.9x41.3 (35x100x900)	1.6x3.9x41.3 (40x100x900)	
			Fork Spacing (Min./Max.)	in (mm)	9.5/35.6 (240/905)	9.5/35.6 (240/905)	9.5/35.6 (240/905)	
	12	Tilt of Mast	Forward/Backward	deg	5°/7°	5°/7°	5°/7°	
	13-19	Overall Dimensions	Length to Fork Face	in (mm)	83.4 (2,120)	83.4 (2,120)	83.6 (2,125)	
			Overall Length	in (mm)	124.7 (3,020)	124.7 (3,020)	124.9 (3,025)	
			Overall Width	in (mm)	42.9 (1,090)	44.1 (1,119)	44.1 (1,119)	
			Mast Lowered Height	in (mm)	84.6 (2,150)	84.6 (2,150)	84.6 (2,150)	
			Mast Extended Height	in (mm)	171.0 (4,345)	171.0 (4,345)	171.3 (4,350)	
			Overhead Guard Height	in (mm)	79.0 (2,010)	79.0 (2,010)	79.0 (2,010)	
			Seat Height	in (mm)	36.2 (919)	36.2 (919)	36.2 (919)	
	20	Outer Turning Radius		in (mm)	74.2 (1,886)	74.2 (1,886)	74.2 (1,886)	
21	Inner Turning Radius		in (mm)	19.4 (494)	19.4 (494)	19.4 (494)		
22	Load Moment Center	Center of Drive Axle to Fork Face	in (mm)	14.8 (376)	14.8 (376)	15.0 (381)		
23	Right Angle Stacking Aisle Width (with Pallets & Clearance)	48" x 40" (1,000 x 1,200) Pallet	in (mm)	136.4 (3,466)	136.4 (3,466)	136.6 (3,471)		
		48" x 31" (800 x 1,200) Pallet	in (mm)	144.3 (3,665)	144.3 (3,665)	144.5 (3,670)		
PERFORMANCE	25-27	Speed	Travel	mph (km/h)	10.6/10.6 (17/17)	10.6/10.6 (17/17)	10.6/10.6 (17/17)	
			Lifting	Loaded/Unloaded	fpm (mm/s)	79/118 (400/600)	79/118 (400/600)	79/118 (400/600)
			Lowering	Loaded/Unloaded	fpm (mm/s)	98/89 (500/450)	98/89 (500/450)	98/89 (500/450)
	28	Max. Drawbar Pull	Loaded at 1.0 mph	lb (kg)	2,864 (1,300)	2,864 (1,300)	2,864 (1,300)	
29	Max. Gradeability	Loaded at 1.0 mph	%	26%	25%	24%		
WEIGHT	30	Total weight	With Min. Weight of Battery	lb (kg)	6,858 (3,111)	7,233 (3,281)	7,630 (3,461)	
	31-32	Axle Load	Loaded, Front/Rear	lb (kg)	9,341/1,045 (4,237/474)	10,033/1,168 (4,551/530)	10,738/1,301 (4,871/590)	
			Unloaded, Front/Rear	lb (kg)	3,748/3,111 (1,700/1,411)	3,739/3,494 (1,696/1,585)	3,730/3,900 (1,692/1,769)	
CHASSIS	33-35	Tires	Size	Front	18 x 7-8	200 x 50-10	200 x 50-10	
			Rear	16 x 6-8	16 x 6-8	16 x 6-8		
	34	Wheel Base	Distance	in (mm)	58.8 (1,495)	58.8 (1,495)	58.8 (1,495)	
	36-37	Tread Width	Front	in (mm)	35.5 (902)	35.9 (912)	35.9 (912)	
			Rear	in (mm)	35.0 (890)	35.0 (890)	35.0 (890)	
	38-39	Ground Clearance	Loaded	at Lowest	in (mm)	3.4 (86)	3.4 (86)	3.4 (86)
			at Center of Wheel Base	in (mm)	3.9 (100)	3.9 (100)	3.9 (100)	
40	Brakes	Service			Electric	Electric	Electric	
		Parking				Auto-Electric	Auto-Electric	Auto-Electric
POWER TRAIN	41	Battery	Type		Lead-Acid	Lead-Acid	Lead-Acid	
			Voltage		V	48	48	48
				Normal	AH	595	595	595
			Battery Compartment Sizes (W x L x H) Max.	Normal	in (mm)	23.9 x 39.0 x 27.4 (608 x 992 x 695)	23.9 x 39.0 x 27.4 (608 x 992 x 695)	23.9 x 39.0 x 27.4 (608 x 992 x 695)
		Weight (Min/Max)	lb (kg)	2,315/2,755 (1,050/1,250)	2,315/2,755 (1,050/1,250)	2,315/2,755 (1,050/1,250)		
	42	Electric Motors	Drive Motor Rating at S2 60 Minute	kW	6.0 x 2	6.0 x 2	6.0 x 2	
			Lifting Motor Rating at S3 15%	kW	14	14	14	
	43	Control Type	Drive and Hydraulic	Type	AC	AC	AC	
	44	Drive Axle	Brake Type	Type	E-Motor	E-Motor	E-Motor	
	45-46	Relief Pressure	System	psi (kPa)	2,880 (19,860)	2,880 (19,860)	3,125 (21,550)	
Attachment			psi (kPa)	2,040 (14,000)	2,040 (14,000)	2,040 (14,000)		
47	Hydraulic Oil Tank	Capacity	L	20	20	20		

Note: For fully enclosed batteries or for batteries with battery cover please contact your local Doosan dealer.
For battery compartment specs with battery rollers, please contact your local Doosan dealer.

DIMENSIONAL DRAWING - 3-Wheel



DIMENSIONAL DRAWING - 4-Wheel



MAST SPECIFICATIONS and RATED CAPACITIES

B15T-7

Mast type	Maximum Fork Height		Fully Lowered Height		Fully Extended Height				Free Lift				Rated Load Capacities											
					with Load Backrest		without Load Backrest		with Load Backrest		without Load Backrest		Single Solid Tire				Single Cushion Tire							
					Tilt Angle		Load Cap.		Tilt Angle		Load Cap.		FWD		BWD		LC 24" (610mm)		FWD		BWD		LC 24" (610mm)	
					deg	deg	lb	kg	deg	deg	lb	kg	deg	deg	lb	kg	deg	deg	lb	kg	deg	deg	lb	kg
STD	118.1	3,000	78.7	2,000	159.3	4,045	141.7	3,600	5.1	130	5.1	130	5	7	3,000	1,500	5	7	3,000	1,500				
	129.9	3,300	84.6	2,150	171.1	4,345	153.5	3,900	5.1	130	5.1	130	5	7	3,000	1,500	5	7	3,000	1,500				
	137.8	3,500	88.6	2,250	178.9	4,545	161.4	4,100	5.1	130	5.1	130	5	7	3,000	1,500	5	7	3,000	1,500				
	145.7	3,700	92.5	2,350	186.8	4,745	169.3	4,300	5.1	130	5.1	130	5	7	3,000	1,500	5	7	3,000	1,500				
	157.5	4,000	100.4	2,550	198.6	5,045	181.1	4,600	5.1	130	5.1	130	5	7	3,000	1,500	5	7	3,000	1,500				
	177.2	4,500	110.2	2,800	218.3	5,545	200.8	5,100	5.1	130	5.1	130	5	7	2,850	1,425	5	7	2,900	1,450				
FF	106.3	2,700	72.8	1,850	147.4	3,745	130.9	3,325	33.3	845	49.8	1,265	5	5	3,000	1,500	5	5	3,000	1,500				
	118.1	3,000	78.7	2,000	159.3	4,045	142.7	3,625	39.2	995	55.7	1,415	5	5	3,000	1,500	5	5	3,000	1,500				
	129.9	3,300	84.6	2,150	171.1	4,345	154.5	3,925	45.1	1,145	61.6	1,565	5	5	3,000	1,500	5	5	3,000	1,500				
FFT	157.5	4,000	74.0	1,880	198.8	5,050	182.3	4,630	34.4	875	51.0	1,295	5	5	2,900	1,450	5	5	2,950	1,475				
	177.2	4,500	80.5	2,045	218.3	5,545	201.8	5,125	40.9	1,040	57.5	1,460	5	5	2,800	1,400	5	5	2,850	1,425				
	187.0	4,750	83.9	2,130	228.1	5,795	211.6	5,375	44.3	1,125	60.8	1,545	5	5	2,700	1,350	5	5	2,750	1,375				
	196.9	5,000	88.4	2,245	238.0	6,045	221.5	5,625	48.8	1,240	65.4	1,660	5	5	2,600	1,300	5	5	2,700	1,350				
	216.5	5,500	97.6	2,480	257.9	6,550	241.3	6,130	58.1	1,475	74.6	1,895	5	5	1,950	975	5	5	2,550	1,275				
	236.2	6,000	104.1	2,645	277.4	7,045	260.8	6,625	64.6	1,640	81.1	2,060	5	5	1,300	650	5	5	2,450	1,225				

B18T-7

Mast type	Maximum Fork Height		Fully Lowered Height		Fully Extended Height				Free Lift				Rated Load Capacities											
					with Load Backrest		without Load Backrest		with Load Backrest		without Load Backrest		Single Solid Tire				Single Cushion Tire							
					Tilt Angle		Load Cap.		Tilt Angle		Load Cap.		FWD		BWD		LC 24" (610mm)		FWD		BWD		LC 24" (610mm)	
					deg	deg	lb	kg	deg	deg	lb	kg	deg	deg	lb	kg	deg	deg	lb	kg	deg	deg	lb	kg
STD	118.1	3,000	78.7	2,000	159.3	4,045	141.7	3,600	5.1	130	5.1	130	5	7	3,500	1,750	5	7	3,500	1,750				
	129.9	3,300	84.6	2,150	171.1	4,345	153.5	3,900	5.1	130	5.1	130	5	7	3,500	1,750	5	7	3,500	1,750				
	137.8	3,500	88.6	2,250	178.9	4,545	161.4	4,100	5.1	130	5.1	130	5	7	3,500	1,750	5	7	3,500	1,750				
	145.7	3,700	92.5	2,350	186.8	4,745	169.3	4,300	5.1	130	5.1	130	5	7	3,500	1,750	5	7	3,500	1,750				
	157.5	4,000	100.4	2,550	198.6	5,045	181.1	4,600	5.1	130	5.1	130	5	7	3,500	1,750	5	7	3,500	1,750				
	177.2	4,500	110.2	2,800	218.3	5,545	200.8	5,100	5.1	130	5.1	130	5	7	3,300	1,650	5	7	3,300	1,650				
FF	106.3	2,700	72.8	1,850	147.4	3,745	130.9	3,325	33.3	845	49.8	1,265	5	5	3,500	1,750	5	5	3,500	1,750				
	118.1	3,000	78.7	2,000	159.3	4,045	142.7	3,625	39.2	995	55.7	1,415	5	5	3,500	1,750	5	5	3,500	1,750				
	129.9	3,300	84.6	2,150	171.1	4,345	154.5	3,925	45.1	1,145	61.6	1,565	5	5	3,500	1,750	5	5	3,500	1,750				
FFT	157.5	4,000	74.0	1,880	198.8	5,050	182.3	4,630	34.4	875	51.0	1,295	5	5	3,350	1,675	5	5	3,400	1,700				
	177.2	4,500	80.5	2,045	218.3	5,545	201.8	5,125	40.9	1,040	57.5	1,460	5	5	3,200	1,600	5	5	3,300	1,650				
	187.0	4,750	83.9	2,130	228.1	5,795	211.6	5,375	44.3	1,125	60.8	1,545	5	5	3,050	1,525	5	5	3,250	1,625				
	196.9	5,000	88.4	2,245	238.0	6,045	221.5	5,625	48.8	1,240	65.4	1,660	5	5	2,800	1,400	5	5	3,150	1,575				
	216.5	5,500	97.6	2,480	257.9	6,550	241.3	6,130	58.1	1,475	74.6	1,895	5	5	2,050	1,025	5	5	3,000	1,500				
	236.2	6,000	104.1	2,645	277.4	7,045	260.8	6,625	64.6	1,640	81.1	2,060	5	5	1,400	700	5	5	2,800	1,400				

B20T-7

Mast type	Maximum Fork Height		Fully Lowered Height		Fully Extended Height				Free Lift				Rated Load Capacities											
					with Load Backrest		without Load Backrest		with Load Backrest		without Load Backrest		Single Solid Tire				Single Cushion Tire							
					Tilt Angle		Load Cap.		Tilt Angle		Load Cap.		FWD		BWD		LC 24" (610mm)		FWD		BWD		LC 24" (610mm)	
					deg	deg	lb	kg	deg	deg	lb	kg	deg	deg	lb	kg	deg	deg	lb	kg	deg	deg	lb	kg
STD	118.1	3,000	78.7	2,000	159.4	4,050	141.9	3,605	5.1	130	5.1	130	5	7	4,000	2,000	5	7	4,000	2,000				
	129.9	3,300	84.6	2,150	171.3	4,350	153.7	3,905	5.1	130	5.1	130	5	7	4,000	2,000	5	7	4,000	2,000				
	137.8	3,500	88.6	2,250	179.1	4,550	161.6	4,105	5.1	130	5.1	130	5	7	4,000	2,000	5	7	4,000	2,000				
	145.7	3,700	92.5	2,350	187.0	4,750	169.5	4,305	5.1	130	5.1	130	5	7	4,000	2,000	5	7	4,000	2,000				
	157.5	4,000	100.4	2,550	198.8	5,050	181.3	4,605	5.1	130	5.1	130	5	7	4,000	2,000	5	7	4,000	2,000				
	177.2	4,500	110.2	2,800	218.5	5,550	201.0	5,105	5.1	130	5.1	130	5	7	3,900	1,950	5	7	4,000	2,000				
FF	106.3	2,700	72.8	1,850	147.6	3,750	131.1	3,330	33.3	845	49.8	1,265	5	5	4,000	2,000	5	5	4,000	2,000				
	118.1	3,000	78.7	2,000	159.4	4,050	142.9	3,630	39.2	995	55.7	1,415	5	5	4,000	2,000	5	5	4,000	2,000				
	129.9	3,300	84.6	2,150	171.3	4,350	154.7	3,930	45.1	1,145	61.6	1,565	5	5	4,000	2,000	5	5	4,000	2,000				
FFT	157.5	4,000	74.0	1,880	199.0	5,055	182.5	4,635	34.4	875	51.0	1,295	5	5	3,900	1,950	5	5	4,000	2,000				
	177.2	4,500	80.5	2,045	218.5	5,550	202.0	5,130	40.9	1,040	57.5	1,460	5	5	3,750	1,875	5	5	3,950	1,975				
	187.0	4,750	83.9	2,130	228.3	5,800	211.8	5,380	44.3	1,125	60.8	1,545	5	5	3,650	1,825	5	5	3,850	1,925				
	196.9	5,000	88.4	2,245	238.2	6,050	221.7	5,630	48.8	1,240	65.4	1,660	5	5	3,600	1,800	5	5	3,800	1,900				
	216.5	5,500	97.6	2,480	258.1	6,555	241.5	6,135	58.1	1,475	74.6	1,895	5	5	3,400	1,700	5	5	3,600	1,800				
	236.2	6,000	104.1	2,645	277.6	7,050	261.0	6,630	64.6	1,640	81.1	2,060	5	5	3,150	1,575	5	5	3,000	1,500				

Note: These load capacities are based on the standard chassis without side shifter.

Specification values quoted in this catalog have been rounded.

Products and specifications are subject to improvement and change without notice.

Performance may vary due to Operating conditions.

The Performance shown represents nominal values obtained under typical Operating conditions.

B16X-7

Mast type	Maximum Fork Height		Fully Lowered Height		Fully Extended Height				Free Lift				Rated Load Capacities											
					with Load Backrest		without Load Backrest		with Load Backrest		without Load Backrest		Single Solid Tire				Single Cushion Tire							
					Tilt Angle		Load Cap.		Tilt Angle		Load Cap.		FWD	BWD	LC 24" (610mm)	FWD	BWD	LC 24" (610mm)	FWD	BWD	LC 24" (610mm)	FWD	BWD	LC 24" (610mm)
					deg	deg	lb	kg	deg	deg	lb	kg												
in	mm	in	mm	in	mm	in	mm	in	mm	in	mm	in	mm	deg	deg	lb	kg	deg	deg	lb	kg			
STD	118.1	3,000	78.7	2,000	159.3	4,045	141.7	3,600	5.1	130	5.1	130	5	7	3,200	1,600	5	7	3,200	1,500				
	129.9	3,300	84.6	2,150	171.1	4,345	153.5	3,900	5.1	130	5.1	130	5	7	3,200	1,600	5	7	3,200	1,500				
	137.8	3,500	88.6	2,250	178.9	4,545	161.4	4,100	5.1	130	5.1	130	5	7	3,200	1,600	5	7	3,200	1,500				
	145.7	3,700	92.5	2,350	186.8	4,745	169.3	4,300	5.1	130	5.1	130	5	7	3,200	1,600	5	7	3,200	1,500				
	157.5	4,000	100.4	2,550	198.6	5,045	181.1	4,600	5.1	130	5.1	130	5	7	3,200	1,600	5	7	3,200	1,500				
	177.2	4,500	110.2	2,800	218.3	5,545	200.8	5,100	5.1	130	5.1	130	5	7	3,200	1,600	5	7	3,200	1,500				
FF	106.3	2,700	72.8	1,850	147.4	3,745	130.9	3,325	33.3	845	49.8	1,265	5	5	3,200	1,600	5	5	3,200	1,500				
	118.1	3,000	78.7	2,000	159.3	4,045	142.7	3,625	39.2	995	55.7	1,415	5	5	3,200	1,600	5	5	3,200	1,500				
	129.9	3,300	84.6	2,150	171.1	4,345	154.5	3,925	45.1	1,145	61.6	1,565	5	5	3,200	1,600	5	5	3,200	1,500				
FFT	157.5	4,000	74.0	1,880	198.8	5,050	182.3	4,630	34.4	875	51.0	1,295	5	5	3,200	1,600	5	5	3,200	1,475				
	177.2	4,500	80.5	2,045	218.3	5,545	201.8	5,125	40.9	1,040	57.5	1,460	5	5	3,100	1,550	5	5	3,140	1,425				
	187.0	4,750	83.9	2,130	228.1	5,795	211.6	5,375	44.3	1,125	60.8	1,545	5	5	3,000	1,500	5	5	3,030	1,375				
	196.9	5,000	88.4	2,245	238.0	6,045	221.5	5,625	48.8	1,240	65.4	1,660	5	5	2,900	1,450	5	5	2,975	1,350				
	216.5	5,500	97.6	2,480	257.9	6,550	241.3	6,130	58.1	1,475	74.6	1,895	5	5	2,700	1,350	5	5	2,800	1,275				
	236.2	6,000	104.1	2,645	277.4	7,045	260.8	6,625	64.6	1,640	81.1	2,060	5	5	2,500	1,250	5	5	2,700	1,225				

B18X-7

Mast type	Maximum Fork Height		Fully Lowered Height		Fully Extended Height				Free Lift				Rated Load Capacities											
					with Load Backrest		without Load Backrest		with Load Backrest		without Load Backrest		Single Solid Tire				Single Cushion Tire							
					Tilt Angle		Load Cap.		Tilt Angle		Load Cap.		FWD	BWD	LC 24" (610mm)	FWD	BWD	LC 24" (610mm)	FWD	BWD	LC 24" (610mm)	FWD	BWD	LC 24" (610mm)
					deg	deg	lb	kg	deg	deg	lb	kg												
in	mm	in	mm	in	mm	in	mm	in	mm	in	mm	in	mm	deg	deg	lb	kg	deg	deg	lb	kg			
STD	118.1	3,000	78.7	2,000	159.3	4,045	141.7	3,600	5.1	130	5.1	130	5	7	3,600	1,800	5	7	-	-				
	129.9	3,300	84.6	2,150	171.1	4,345	153.5	3,900	5.1	130	5.1	130	5	7	3,600	1,800	5	7	-	-				
	137.8	3,500	88.6	2,250	178.9	4,545	161.4	4,100	5.1	130	5.1	130	5	7	3,600	1,800	5	7	-	-				
	145.7	3,700	92.5	2,350	186.8	4,745	169.3	4,300	5.1	130	5.1	130	5	7	3,600	1,800	5	7	-	-				
	157.5	4,000	100.4	2,550	198.6	5,045	181.1	4,600	5.1	130	5.1	130	5	7	3,600	1,800	5	7	-	-				
	177.2	4,500	110.2	2,800	218.3	5,545	200.8	5,100	5.1	130	5.1	130	5	7	3,400	1,700	5	7	-	-				
FF	106.3	2,700	72.8	1,850	147.4	3,745	130.9	3,325	33.3	845	49.8	1,265	5	5	3,600	1,800	5	5	-	-				
	118.1	3,000	78.7	2,000	159.3	4,045	142.7	3,625	39.2	995	55.7	1,415	5	5	3,600	1,800	5	5	-	-				
	129.9	3,300	84.6	2,150	171.1	4,345	154.5	3,925	45.1	1,145	61.6	1,565	5	5	3,600	1,800	5	5	-	-				
FFT	157.5	4,000	74.0	1,880	198.8	5,050	182.3	4,630	34.4	875	51.0	1,295	5	5	3,600	1,800	5	5	-	-				
	177.2	4,500	80.5	2,045	218.3	5,545	201.8	5,125	40.9	1,040	57.5	1,460	5	5	3,500	1,750	5	5	-	-				
	187.0	4,750	83.9	2,130	228.1	5,795	211.6	5,375	44.3	1,125	60.8	1,545	5	5	3,200	1,600	5	5	-	-				
	196.9	5,000	88.4	2,245	238.0	6,045	221.5	5,625	48.8	1,240	65.4	1,660	5	5	3,100	1,550	5	5	-	-				
	216.5	5,500	97.6	2,480	257.9	6,550	241.3	6,130	58.1	1,475	74.6	1,895	5	5	2,950	1,475	5	5	-	-				
	236.2	6,000	104.1	2,645	277.4	7,045	260.8	6,625	64.6	1,640	81.1	2,060	5	5	2,700	1,350	5	5	-	-				

B20X-7

Mast type	Maximum Fork Height		Fully Lowered Height		Fully Extended Height				Free Lift				Rated Load Capacities											
					with Load Backrest		without Load Backrest		with Load Backrest		without Load Backrest		Single Solid Tire				Single Cushion Tire							
					Tilt Angle		Load Cap.		Tilt Angle		Load Cap.		FWD	BWD	LC 24" (610mm)	FWD	BWD	LC 24" (610mm)	FWD	BWD	LC 24" (610mm)	FWD	BWD	LC 24" (610mm)
					deg	deg	lb	kg	deg	deg	lb	kg												
in	mm	in	mm	in	mm	in	mm	in	mm	in	mm	in	mm	deg	deg	lb	kg	deg	deg	lb	kg			
STD	118.1	3,000	78.7	2,000	159.4	4,050	141.9	3,605	5.1	130	5.1	130	5	7	4,000	2,000	5	7	-	-				
	129.9	3,300	84.6	2,150	171.3	4,350	153.7	3,905	5.1	130	5.1	130	5	7	4,000	2,000	5	7	-	-				
	137.8	3,500	88.6	2,250	179.1	4,550	161.6	4,105	5.1	130	5.1	130	5	7	4,000	2,000	5	7	-	-				
	145.7	3,700	92.5	2,350	187.0	4,750	169.5	4,305	5.1	130	5.1	130	5	7	4,000	2,000	5	7	-	-				
	157.5	4,000	100.4	2,550	198.8	5,050	181.3	4,605	5.1	130	5.1	130	5	7	4,000	2,000	5	7	-	-				
	177.2	4,500	110.2	2,800	218.5	5,550	201.0	5,105	5.1	130	5.1	130	5	7	3,800	1,900	5	7	-	-				
FF	106.3	2,700	72.8	1,850	147.6	3,750	131.1	3,330	33.3	845	49.8	1,265	5	5	4,000	2,000	5	5	-	-				
	118.1	3,000	78.7	2,000	159.4	4,050	142.9	3,630	39.2	995	55.7	1,415	5	5	4,000	2,000	5	5	-	-				
	129.9	3,300	84.6	2,150	171.3	4,350	154.7	3,930	45.1	1,145	61.6	1,565	5	5	4,000	2,000	5	5	-	-				
FFT	157.5	4,000	74.0	1,880	199.0	5,055	182.5	4,635	34.4	875	51.0	1,295	5	5	3,800	1,900	5	5	-	-				
	177.2	4,500	80.5	2,045	218.5	5,550	202.0	5,130	40.9	1,040	57.5	1,460	5	5	3,800	1,900	5	5	-	-				
	187.0	4,750	83.9	2,130	228.3	5,800	211.8	5,380	44.3	1,125	60.8	1,545	5	5	3,600	1,800	5	5	-	-				
	196.9	5,000	88.4	2,245	238.2	6,050	221.7	5,630	48.8	1,240	65.4	1,660	5	5	3,450	1,725	5	5	-	-				
	216.5	5,500	97.6	2,480	258.1	6,555	241.5	6,135	58.1	1,475	74.6	1,895	5	5	3,300	1,650	5	5	-	-				
	236.2	6,000	104.1	2,645	277.6	7,050	261.0	6,630	64.6	1,640	81.1	2,060	5	5	3,000	1,500	5	5	-	-				

Note: These load capacities are based on the standard chassis without side shifter.



Doosan Industrial Vehicle America Corp.
 2745 Mill Center Parkway, Suite #400
 Buford, GA 30518
 Tel : 678-745-2200
 Fax : 678-745-2250
www.DoosanLift.com

PSCBTBX7-V4 _ SPEC EFB

AUTHORIZED DEALER