



Bendi®

B3/30AC

**Electric Multi-Purpose
VNA Articulated Forklift Truck**

The B3/30AC is a VNA forklift that can work indoors and out on paved surfaces

STANDARD FEATURES

- Three-Wheel Design, Single Front Wheel Drive
- 9.75" (248mm) Stroke Integral Side Shifter
- 220° Front End Rotation
- Adjustable Seat and Steering Wheel
- DuraSteer™ Front Wheel Hydraulic Steering
- AC Traction Motor Controller with LandActive Control (LandActive control provides additional control during stacking as the maximum truck speed is controlled by steering angle.)
- AC Hydraulic Motor Controller
- Interactive LCD Status Monitor
- BDI with Lift Interrupt, Hour Meter with Service Monitor, Diagnostic Code Display, Input Device Calibration
- Hydraulic Rear Wheel Brakes
- Safety Seat Switch and Seat Belts
- 40" (1000mm) Tapered Tip Forks - Rear Tow Pin
- Hand Actuated Parking Brake
- Creep Speed Mode Selection Switch
- High Visibility Mast and 36" (914mm) High Backrest
- Mast Tilt 1° Forward and 2° Backward
- 48 Volt Electrical System
- Three Section Hydraulic Control Valve
- Smooth Poly Front Drive Tire and Rubber Rear Tires
- Horn, Key Switch and Hour Meter
- Meets ANSI B56.1

OPTIONAL FEATURES

- Non-Standard Fork Lengths
- Dual Overhead Guard-Mounted LED Headlights
- Dual Rear Safety LED Light Bars
- Safety Flashing LED Light
- Backup Alarm - Beeping Tone ("Smart" dB Adjusting)
- Fire Extinguisher - OHG Post Mounted
- Roller / Slide-Out Battery Tray
- Lazer Fork Height Indicator
- Fork Positioner
- Keyless Key Pad On-Off
- Cold Storage Conditioned to -22°F (-30°C)

LANDOLL CORPORATION
www.landoll.com/mhp | **800-428-5655**



TECHNICAL DATA

MODEL		B3/30AC	
Capacity		lbs/kg	3,000 / 1,361
Load Center		in/mm	24 / 600
Power Source			Battery, electric
Weight with Battery		lbs/kg	12,800 / 5,818
Travel Speed	Loaded	mph/kph	5.5 / 8.9
	Unloaded	mph/kph	6 / 9.7
Lift Speed	Loaded	fpm/mpm	90 / 27.4
	Unloaded	fpm/mpm	110 / 33.5
Lowering Speed	Loaded	fpm/mpm	100 / 30.5
	Unloaded	fpm/mpm	90 / 27.4
Mast Tilt	Fwd / Back	deg	1 / 2
Lost Load Center	a	in/mm	14.2 / 361
Wheelbase	b	in/mm	72.6 / 1,844
Overall Length to Face of Forks	c	in/mm	112.9 / 2,868
Underclearance	d	in/mm	3 / 76
Cab Floor Height	e	in/mm	31 / 787
Seat Height	f	in/mm	51 / 1,295
Overhead Guard Height	g	in/mm	89 / 2,261
Chassis Width	h	in/mm	44.8 / 1,138
Gradeability	Unloaded	%	8
	Loaded	%	5
Hydraulic Motor Rating		kW	12
Drive Motor Rating	Single Front	kW	5.1
Wheel Sizes	Front (1 Each)	in/mm	18x7 / 457x178
	Rear (2 Each)	in/mm	18x7 / 457x178
Traction Control Type	Curtis		AC
Hydraulic Control Type	Curtis		AC
Front Articulation	m	deg	220

MAST DIMENSIONS

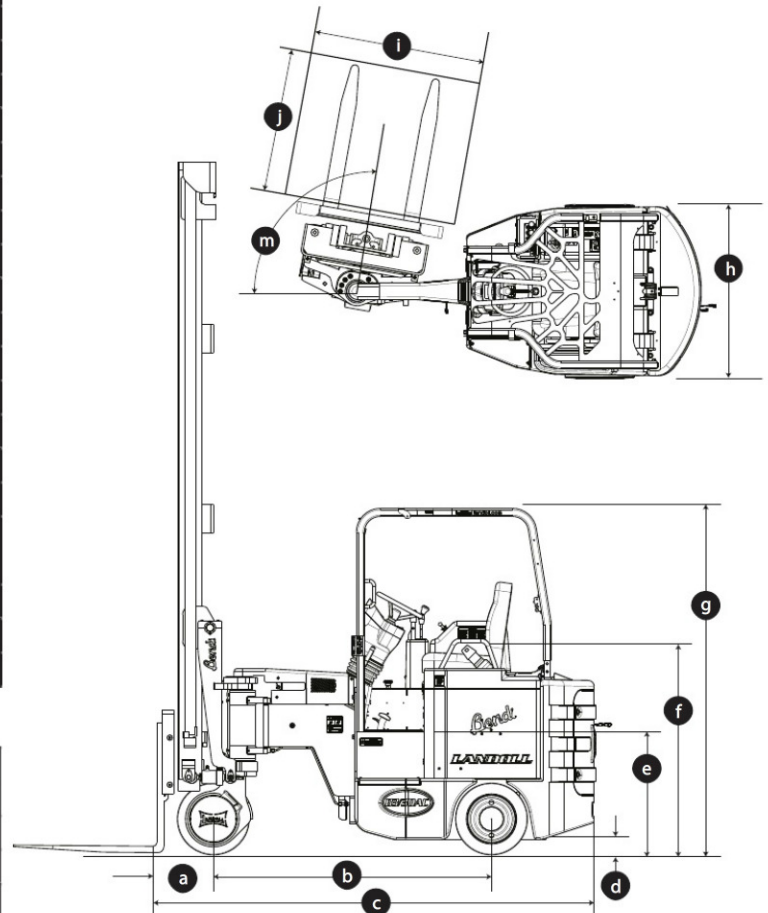
LIFT HEIGHT		LOWERED HEIGHT		FREE LIFT	
Inches	Meters	Inches	Meters	Inches	Meters
156	3.96	92	2.34	56	1.42
204	5.18	108	2.74	72	1.83
222	5.64	118	3.00	82	2.08
250	6.35	133	3.38	97	2.46
288	7.32	147	3.73	111	2.82
312	7.92	155	3.94	119	3.02
360	9.14	174	4.42	138	3.51

AISE DIMENSIONS

LOAD DEPTH X WIDTH (j x i)	MINIMUM CLEAR AISLE
40" x 48" (1,000 x 1,200mm)	66" (1,676mm)
48" x 40" (1,200 x 1,000mm)	72" (1,828mm)
Minimum Clear Transfer Aisle	121" (3,000mm)

Bendi B3/30AC

Electric Multi-Purpose VNA Articulated Forklift Truck



RECOMMENDED BATTERY

BATTERY DESIGNATION: 24-85-17, 48 VOLT, 680 AHC (6 HOUR RATE)

Nominal Size: 27" x 38.5" x 22.625" (69 x 98 x 58cm)

Truck Compartment Size: 27.5" x 38.75" x 23" (70 x 98 x 58cm)

Battery Weight: Min. 2,600 lbs. (1,181kg) - Max. 3,100 lbs. (1,409kg)

Leads are at Position C, 20" (50.8cm) Long, with SB 350 Amp Blue Connector



www.landoll.com/mhp

1900 North Street | Marysville, KS 66508 | (800) 428-5655

Bendi



B3/30AC-1217