

450 SERIES

ARTICULATING BOOM LIFT



Performance

| | | |
|---|----------------------------|-------------------------|
| Platform Height | 45 ft | 13.72 m |
| Horizontal Outreach | | |
| 450A | 30 ft | 9.14 m |
| 450AJ | 25 ft | 7.62 m |
| Up and Over Height | 24 ft | 7.3 m |
| Swing | 355 Degrees Non-Continuous | |
| Platform Capacity | | |
| Unrestricted | 550 lb | 250 kg |
| Platform Size | 30 x 72 in. | 0.76 x 1.83 m |
| Platform Rotator | 180 Degrees Hydraulic | |
| Jib | 4 ft 1 in. | 1.24 m |
| Range of Articulation | 145 Degrees (+76, -69) | |
| Weight | | |
| 450A | 15,850 lb | 7,190 kg |
| 450AJ | 12,650 lb | 5,738 kg |
| Max Ground Bearing Pressure (With Pneumatic Tires) | 65 psi | 4.57 kg/cm ² |
| Drive Speed | 4.25 mph | 6.84 km/hr |
| Gradeability | | |
| 2WD | 30% | |
| 4WD | 45% | |
| Axle Oscillation | 4 in. | 10 cm |
| Turning Radius | | |
| Inside | 6 ft 9 in. | 2.06 m |
| Outside | 15 ft 8 in. | 4.78 m |

Standard Specifications

Power Source

| | | |
|---|---------|---------|
| Dual Fuel Engine Kubota WG2503 | 61 hp | 45.5 kW |
| Diesel Engine Deutz D2.9 L4 Tier 4 Final | 49 hp | 36.4 kW |
| Fuel Tank Capacity | 16 gal. | 60.6 L |

Hydraulic System

| | | |
|-----------------|---------|----------|
| System Capacity | 38 gal. | 143.8 L |
| Tank Capacity | 36 gal. | 136.27 L |
| Auxiliary Power | 12V-DC | |

Tires

| | | |
|----------|--|--|
| Standard | 33/1550 x 16.5 Pneumatic Lug Tread | |
| Optional | Foam-filled Tires Non-marking Tires | |



Standard Features

- 4 ft 1 in. (1.24 m) Articulating Jib
- Platform 30 x 72 in. (0.76 x 1.83 m) Side Entry
- 180 Degree Hydraulic Platform Rotator
- Platform Console Machine Status Light Panel¹
- 110V-AC Receptacle in the Platform
- 5 Degree Tilt Alarm/Indicator Light
- Swing Out Engine Module
- Improved Multi-Function Controls
- Gull-Wing Turntable Hoods
- 12V-DC Auxiliary Power
- Hourmeter
- Interactive Display at Ground Controls
- Proportional Controls
- Control ADE[®] System
- Lifting/Tie Down Lugs
- Horn
- Four-Wheel Hydrostatic Drive
- Oscillating Axle
- Cast Aluminum Control Box
- Motion Alarm
- Reduced Time to Full Height

Accessories & Options

- 30 x 60 in. (0.76 x 1.25 m) Platform
- Inward Self-Closing Swing
- 36 x 72 in. (0.91 x 1.83 m) Platform
- Fall Arrest Platform 30 x 60 in. (.76 x 1.53 m)
- Mesh to Top Rail— Bolt-on Aluminum
- 1/2 in. Air Line to Platform
- Soft Touch System
- AC Generator
- Flashing Amber Beacon
- 43.5 lb (19.73 kg) Propane Tank
- Cold Weather Kit²
- Arctic Package⁴
- Hostile Environment Kit³
- Light Package
- Platform Worklights
- Operator Tool Tray
- Accessory Packages
 - SkyPower[®] Package
 - SkyWelder[®] Package
 - SkyGuard[®]
 - PipeRack

1. Provides indicator lights at platform control console for system distress, low fuel, 5 degree tilt light, and foot switch status.
2. Includes battery blanket, hydraulic tank heater, block heater (GM), glow plugs (Deutz).
3. Includes boom wipers, cylinder bellows and console cover.
4. Includes arctic hydraulic hoses (drive and steer only) and main boom cable, extreme cold engine oil, fuel conditioner, engine block heater, battery blanket, glow plugs, hydraulic tank heater, and oversized footswitch.

Note: Some options may increase lead time, and some option combinations may not be available.

450 SERIES

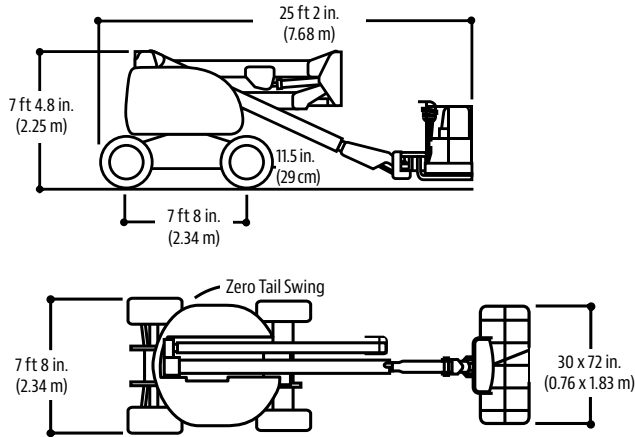
ARTICULATING BOOM LIFT



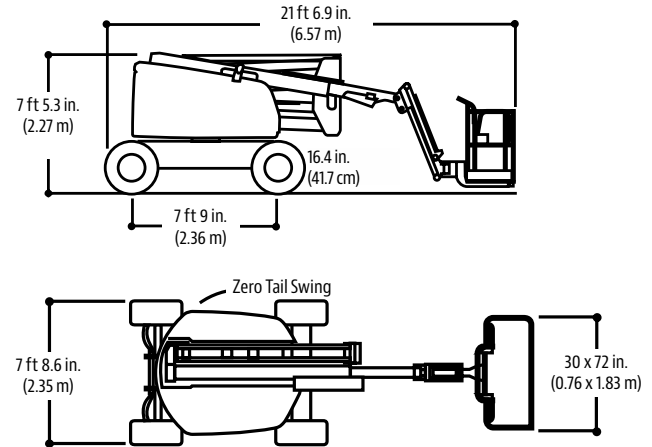
Dimensions

All dimensions are approximate.

450A

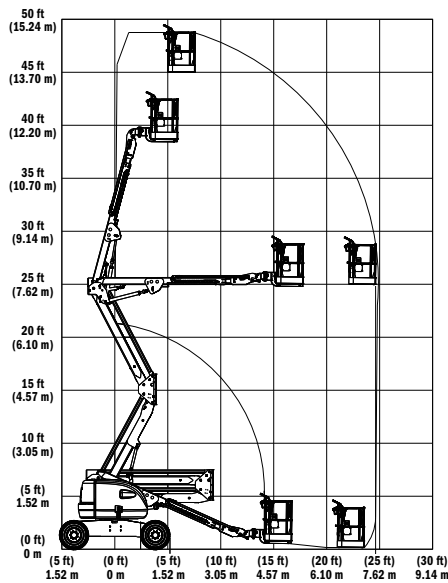


450AJ

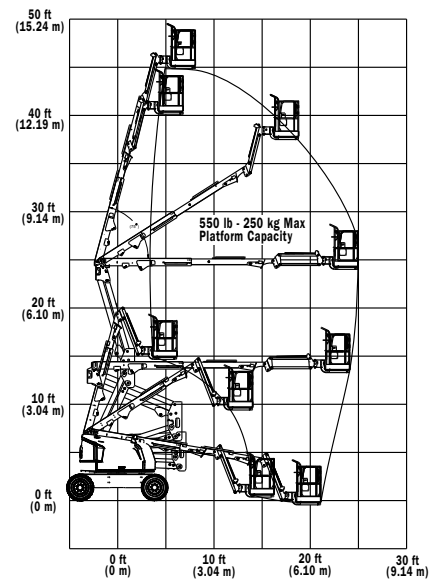


Reach Diagrams

450A



450AJ



The JLG "1 & 5" Warranty

We provide coverage for one (1) full year, and cover all specified major structural components for five (5) years. Due to continuous product improvements, we reserve the right to make specification and/or equipment changes without prior notification. This machine meets or exceeds applicable ANSI and CSA requirements based on machine configuration as originally manufactured for intended applications. Please reference the serial number plate on the machine for additional information.

Part No.: 3131117
R021815
Printed in USA



JLG Industries, Inc.
1 JLG Drive
McCconnellsburg, PA 17233-9533
Telephone 717-485-5161
Toll-free in US 877-JLG-LIFT
Fax 717-485-6417
www.jlg.com

An Oshkosh Corporation Company